

Business Furniture

Assembly Instructions

Link Top (Square, Rectangular, 5-Sided, or Round Back)

CALSTONE INC - 061308

Component Parts:

- 1 - Top
- 1 - Flush Connector Bracket
- #10 x 5/8" Combination Screws
- #10-24 x 1/2" Machine Screws

(Inspected by)

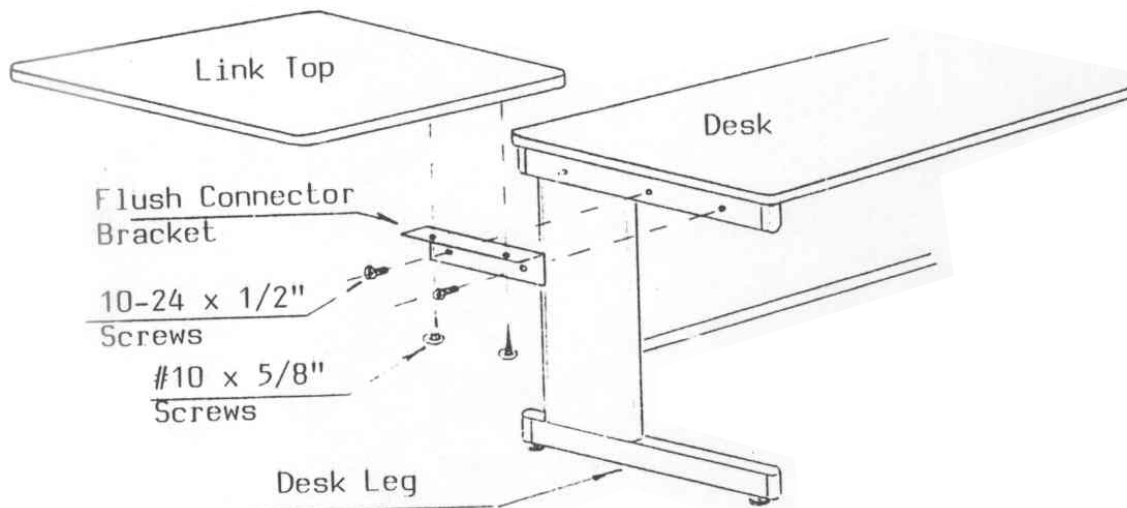
Flush Connector Bracket Assembly:

1. Loosen 2 screws on side of legs where brackets is to be applied.
2. Align holes on bracket with holes on leg. Ensure flange on bracket is up and flush with bottom of work surface. Re-install screws.
3. When next desk has bracket assembled to it, place link top onto brackets. Align front and back of link top with front back of desk
4. Using 5/8" screws, fasten link top securely (2 screws per side).

NOTE: A link top leg is required if the link top is *not* connected to two adjoining desks.

Link Top Leg Assembly:

1. Secure Link Top leg to undersurface of top using #10 x 5/8" Combination Screws.



Do not discard packaging material until all contents are located