

Business Furniture

Assembly Instructions

Under Desk Shelf Assembly

CALSTONE INC - 120806

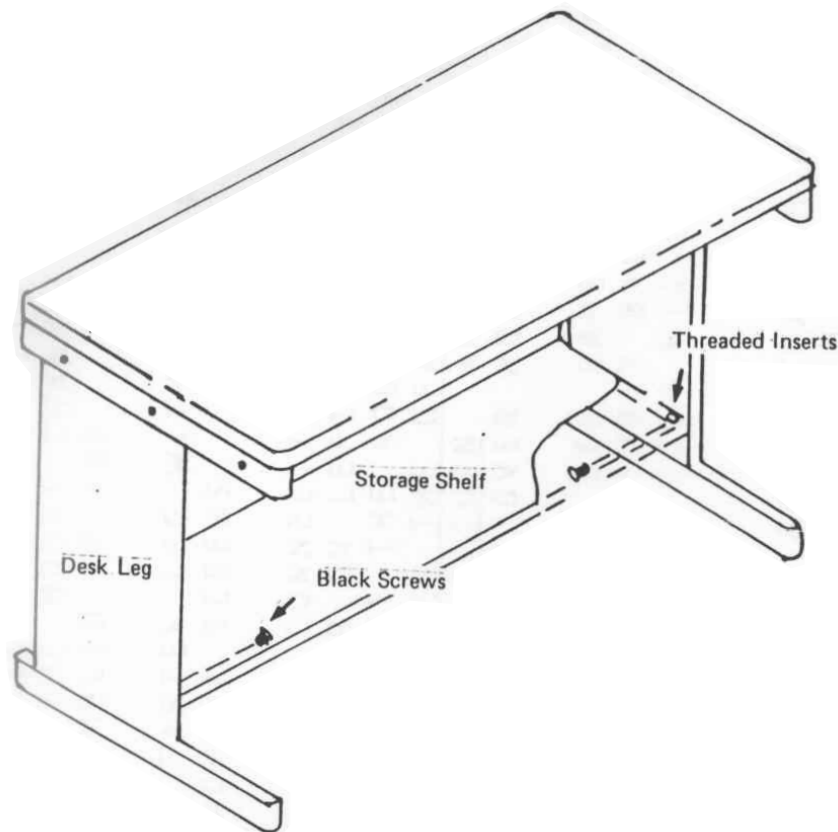
Component Parts:

- 1 - Storage Shelf
- #10 x 1/2" Machine Screws

(Inspected by)

Shelf Assembly:

1. Assemble desk, following "Desk Assembly" instructions
2. Place desk upright
3. Place back of storage shelf onto back panel. Align holes in front / sides of storage shelf with threaded inserts in desk legs
4. Install #10 x 1/2 Machine Screws and tighten snugly (1 screw per side)



Do not discard packaging material until all contents are located