

Business Furniture

Assembly Instructions

CPU-2 Storage Unit

CALSTONE INC - 120806

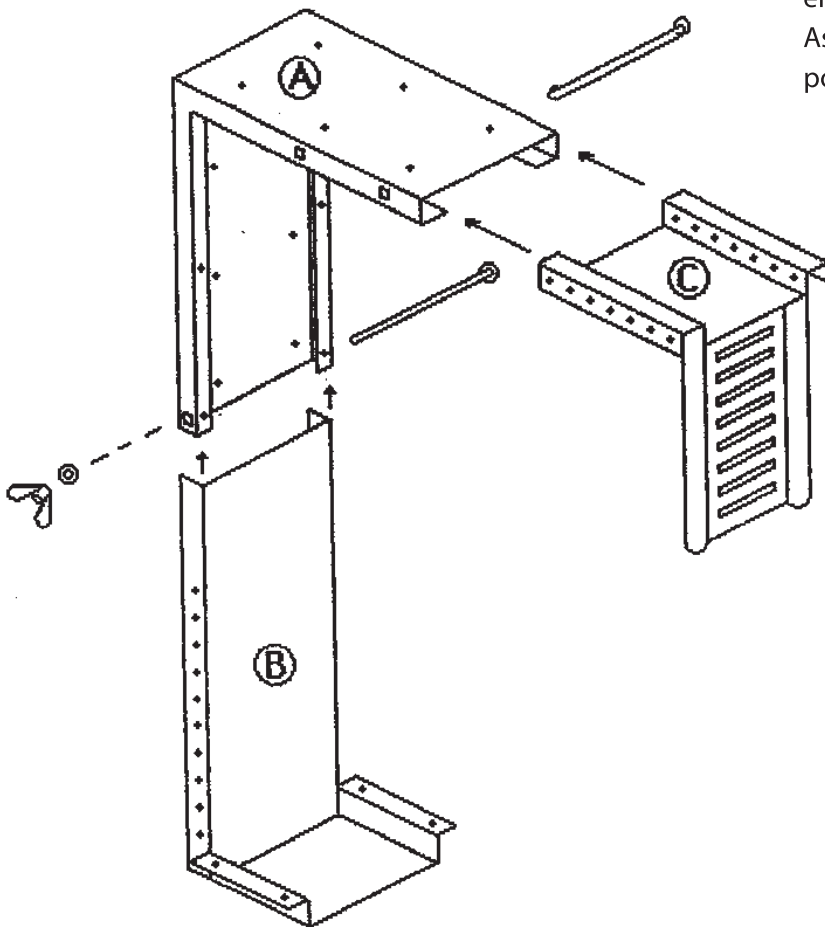
Component Parts

- 1 - CPU Unit
- 6-7/8" Spring Pin
- 1/4" Bolt, washer, wing nut
- #10-24 x 5/8" Combination Screws

(Inspected by)

CPU Storage Assembly:

1. CPU Unit is shipped assembled.
2. Remove section "C" from unit
3. Align Section "A" with pre-drilled holes on top.
4. Attach Section "A" to top using #10-24 x 5/8" Combination Screws
5. Slide Section "B" and fasten at the desired height with 1/4" bolt, washer and wing nut. CPU should just clear opening of Section "A" and "B".
5. Slide in Section "C" and fasten with 6-7/8" long spring pin. Depending on the width of the CPU, either the outside or centre hole can be used. Assemble section "C" as close to the CPU as possible.



Do not discard packaging material until all contents are located