

Business Furniture

Assembly Instructions

Computer Lab Desks

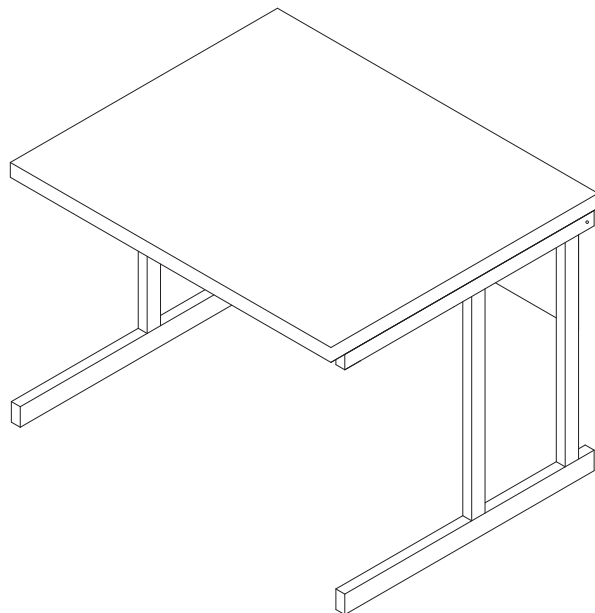
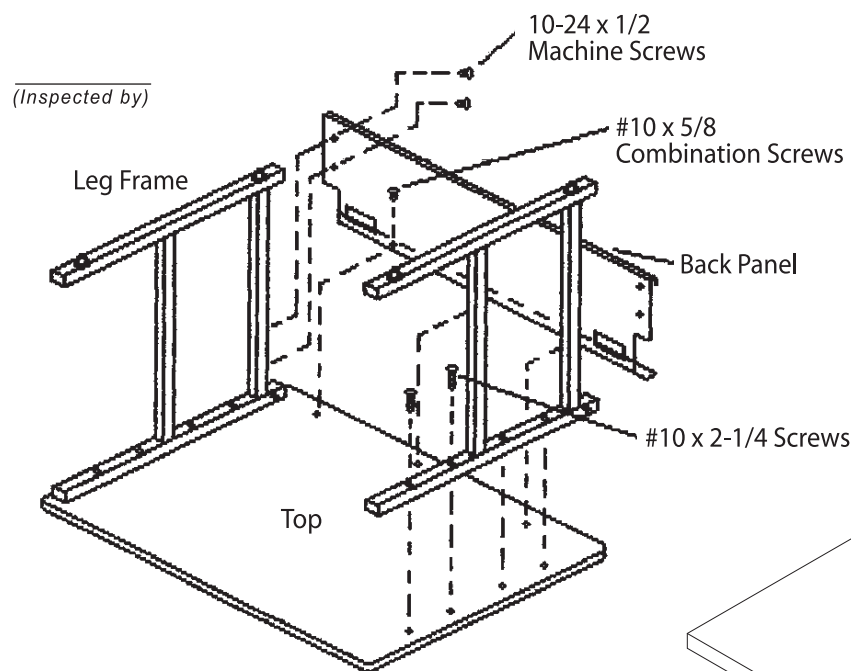
CALSTONE INC - 120806

Component Parts:

- 1 - Desk Top
- 2 - Desk Legs
- 1 - Back Panel
- #10-24 x 1/2" Machine Screw
- #10 x 5/8" Combination Screws
- #10 x 2-1/2" Leg Screws

Computer Lab Desk Assembly:

1. Assemble legs to table top with #10 x 2-1/2" Leg Screws.
2. Assemble back panel to legs with #10-24 x 1/2" Machine Screws
3. Secure back panel to top with #10 x 5/8" Combination Screws



Do not discard packaging material until all contents are located