

Business Furniture

Assembly Instructions

Computer Lab Desks - Island Trough Assembly

CALSTONE INC - 120806

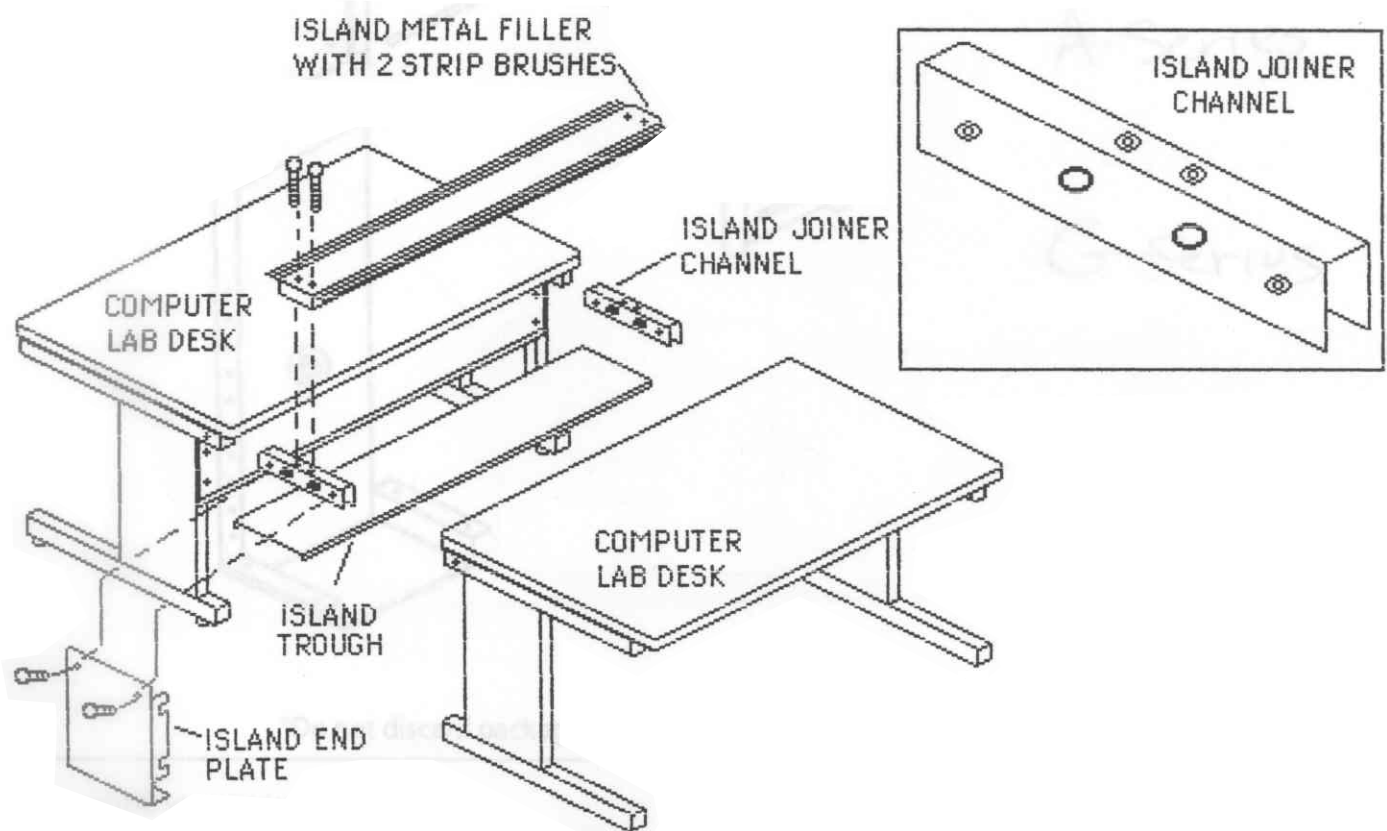
Component Parts:

- 2 - Wall Joiner Channels
- 1 - Metal Filler with Strip Brush
- 1 - Wall Trough
- 1 - Wall Trough Back Panel
- Assembly Screws

(Inspected by)

Computer Lab Desk Assembly:

1. Assemble island joiner channel channel to legs with 10-24 x 1/2" machine screws
2. Fasten second desk to joiner channel
3. Slide island trough into back panel fold
4. Assemble island end plate to back panel and leg (if required)
5. Assemble metal filler with four 10-24 x 1-5/8" machine screws to channel
6. Level desks



Do not discard packaging material until all contents are located