

# Eco-Series Furniture

## Assembly Instructions

### Desk Assembly

CALSTONE INC - 061108

#### Component Parts:

- 1 - Desk Top
- 2 - Desk Legs (1 left, 1 right)
- 1 - Back Panel
- 4 - Leveling Glides

#10 x 5/8" Combination Screws

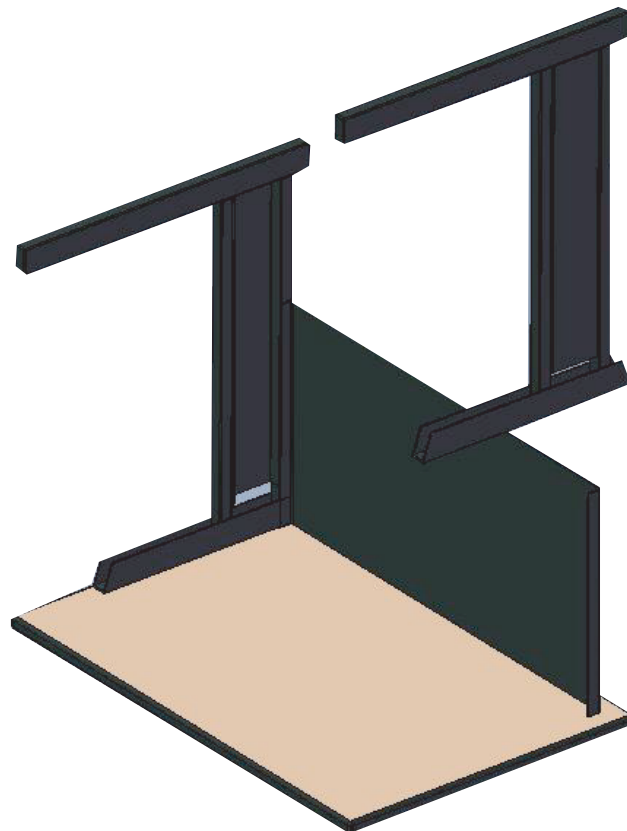
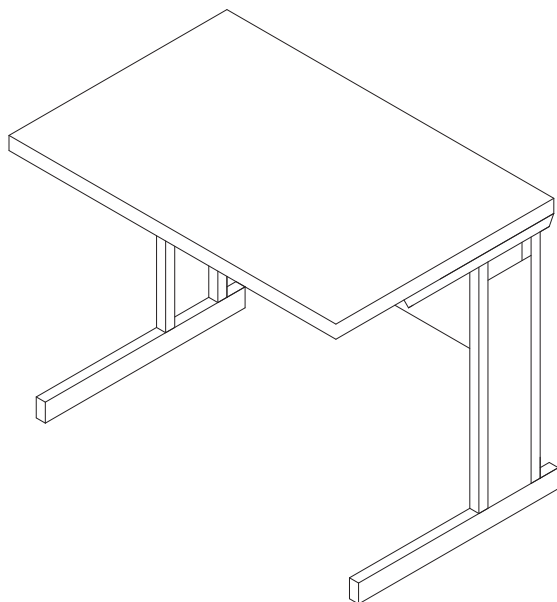
#10-24 x 1/2" Machine Screws

Hex Bolts & Washers

*(Inspected by)*

#### Desk Assembly:

1. Place desk top on floor, with top inserts facing up
2. Place desk legs onto top and align all holes (NOTE: Make sure side panel is to the outside, as legs are right and left.)
3. Insert Hex Bolts with Washers into each insert but **DO NOT TIGHTEN**
4. Align back panel with threaded inserts in leg and tighten into place with black metal screws
5. Tighten all screws and washers on both legs
6. Secure back panel to top with wood screws.
7. Flip table right side up and level with glides
8. If required, connect desks with joiner plates using the wood combination screws.



\*Do not discard packaging material until all contents are located\*