

# Business Furniture

## Assembly Instructions

### Lift Desk Assembly

CALSTONE INC - 120806

#### Component Parts:

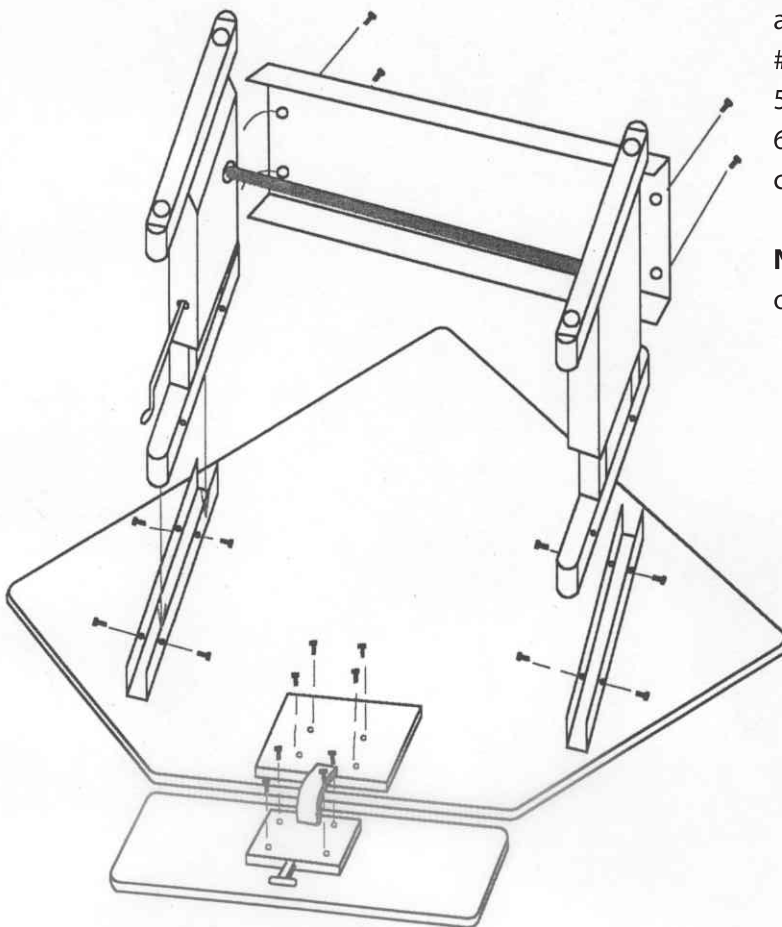
- 1 - Desk Top
- 2 - Desk Legs (1 left, 1 right)
- 1 - Back Panel
- #10-24 x 1/2" Machine Screws
- 1 - Connecting Rod
- 1 - Crank Handle

*(Inspected by)*

#### Lift Desk Assembly:

1. Place desk with top side down. Take leg assembly and slide it carefully over the mount channel already assembled to the top
2. Fasten leg with four #10-24 x 1/2" machine screws
3. Take connecting rod and insert into hex. gear on left side. Take other leg and insert the rod into its hex. gear. **DO NOT TURN THE GEAR ON THIS LEG MORE THAN HALF A TURN,** and carefully slide leg assembly over mount channel.
4. Fasten the leg same as the left side. Then assemble back panel to both legs by using four #10-24 x 1/2" machine screws
5. Assemble keyboard mechanism as required
6. Turn desk right side up, insert crank and turn clockwise to lift desk to the desired height.

**NOTE:** Do not force turn the crank after highest or lowest position has been reached.



\*Do not discard packaging material until all contents are located\*