

# Business Furniture

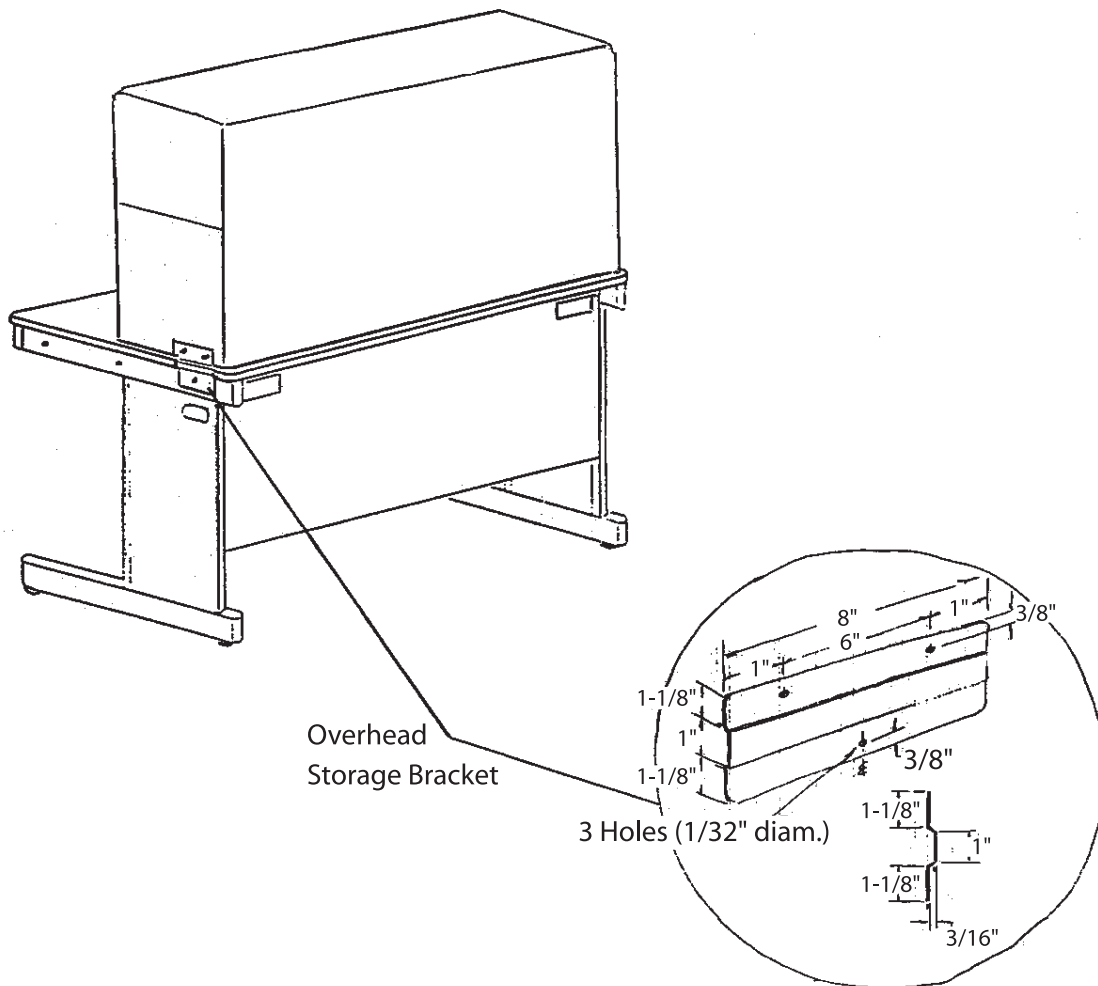
Assembly  
Instructions

## Overhead Storage Bracket

Inspected By: \_\_\_\_\_

### Component Parts:

- Bracket (set of 2)



\*Do not discard packaging material until all contents are located\*