

# Business Furniture

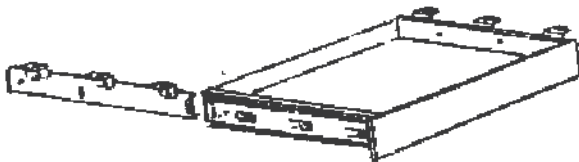
## Assembly Instructions

### Pencil Drawer

Inspected By: \_\_\_\_\_

#### Component Parts:

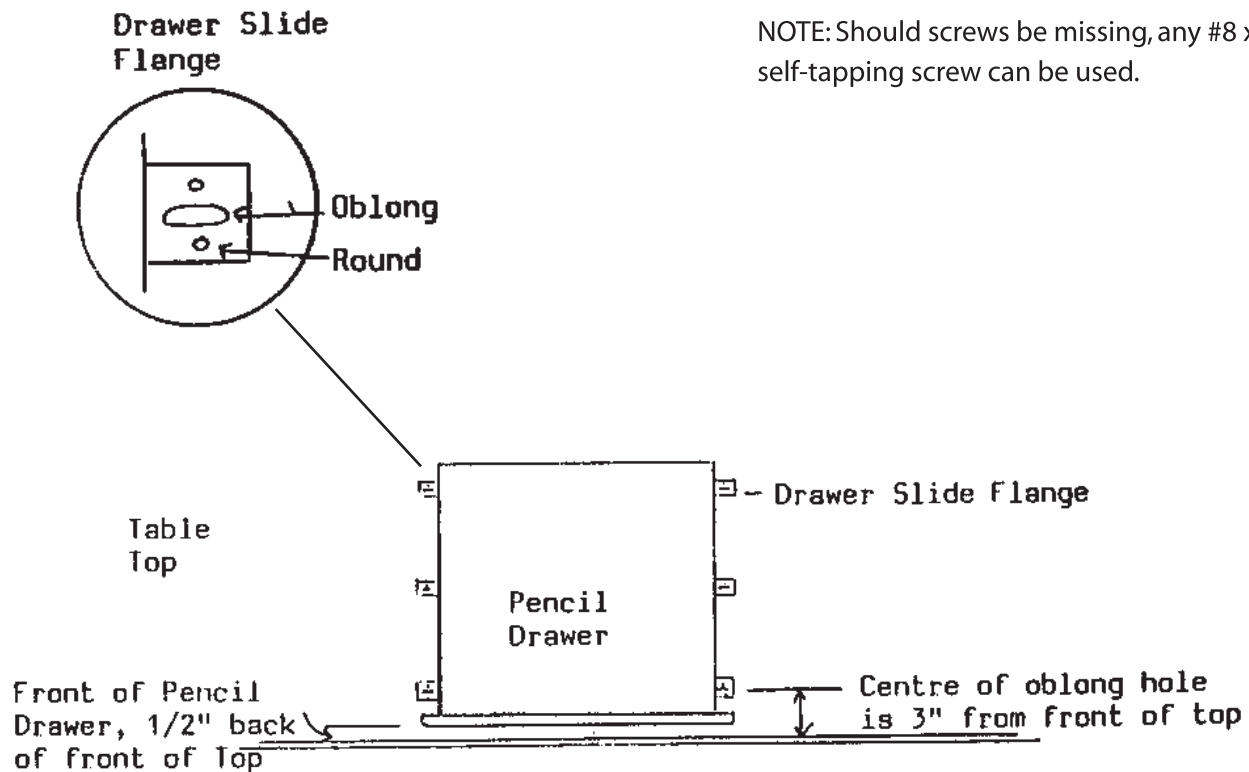
For safe transportation, the outside drawer slide was packed separately and must be assembled as per sketch.



#### Pencil Drawer Assembly:

1. Turn table upside down on floor and place pencil drawer on underside of table, in the desired position, with front of pencil drawer  $\frac{1}{2}$ " from front of table top, ensuring the drawer slide flanges are flush with the table top.
2. Drill 2 holes,  $\frac{1}{8}$ " diameter, through the centre flange oblong holes. Fasten 2 screws and check if drawer slides smoothly. Tighten screws.
3. Drill 4 additional holes, one in each outside flange, and fasten pencil drawer securely to table top.

NOTE: Should screws be missing, any #8 x  $\frac{5}{8}$ " self-tapping screw can be used.



\*Do not discard packaging material until all contents are located\*