

## Furniture Solutions:

# Assembling the Connect+ Table CP6028CON or CP7228CON

Part Numbers: M-TOP-6028 or M-TOP-7228, MT-FR-4528, MSS-4528, MSD-4533, M-POST-28H, M-9085-WR.

### Introduction

This document provides the Pitney Bowes service rep with instructions for assembling the modules that comprise the **Connect+Table with Doors and Flat Screen Mount** (60-inch table CP6028CON or 72-inch table CP7228CON).

### Contents

#### Module Description

Cabinet Assembly and Frame  
Storage Shelf Assembly for Cabinet  
Sliding Door Assembly for Cabinet  
Accessory Assembly for Cabinet

**NOTE:** Do not discard packaging material of any of the modules until all contents are located.

### Before You Begin

All holes are pre-drilled and have (nut) inserts to accommodate the bolts shipped with the accessory. All accessory bases are the same so that they can be placed in any of the three locations on the table top (left, center, right).

SV62731 Rev. A  
November 2011  
Page 1 of 9

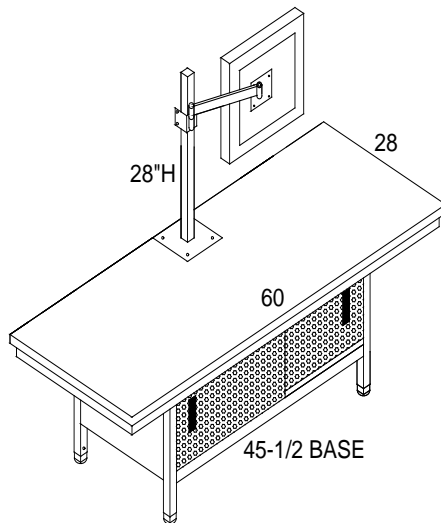
In the U.S.A., for further information on Console Inserter related issues, call DMT Worldwide Technical Support at 866-877-3683. For Table Top Inserter information, call Global Mailing Systems (GMS) at 800-692-0003. In the EAME area, call European Technical Support at +44 3333 440076.

This document is a publication of Pitney Bowes. The use of this information by the recipient or others for purposes other than the repair, adjustment or operation of Pitney Bowes equipment may constitute an infringement of intellectual property rights of Pitney Bowes or others. Pitney Bowes assumes no responsibility for any such use of the information. Except as provided in writing, duly signed by an officer of Pitney Bowes, no license, either express or implied, under any Pitney Bowes or any third party's patent, copyright, or other intellectual property rights is granted by providing this information.

## Preview of Assembled Configurations

Here is a preview of the fully-assembled configurations—60-inch (CP6028CON) and 72-inch (CP7228CON).

### CP6028CON

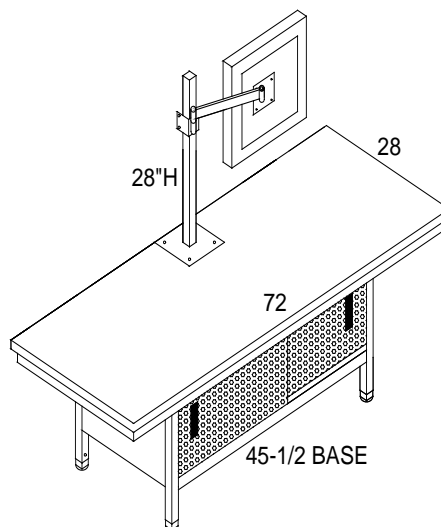


Part:	Dimensions:
M-TOP-6028	Top 60 x 28 x 1-1/2"H
MT-FR-4528	Frame 45-1/2 x 28 x 29-36"H
MSS-4528	Storage Shelf 45-1/2 x 28
MSD-4533	Sliding Doors for 45-1/2" Table
M-POST-28H*	Upright 1-1/2 x 1-1/2 x 28"H
M-9085-WR**	Monitor Mount with Swivel Bracket

\* (packed in its own separate box)

\*\* (packed in its own separate box)

### CP7228CON



Part:	Dimensions:
M-TOP-7228	Top 72 x 28 x 1-1/2"H
MT-FR-4528	Frame 45-1/2 x 28 x 29-36"H
MSS-4528	Storage Shelf 45-1/2 x 28
MSD-4533	Sliding Doors for 45-1/2" Table
M-POST-28H*	Upright 1-1/2 x 1-1/2 x 28"H
M-9085-WR**	Monitor Mount with Swivel Bracket

\* (packed in its own separate box)

\*\* (packed in its own separate box)

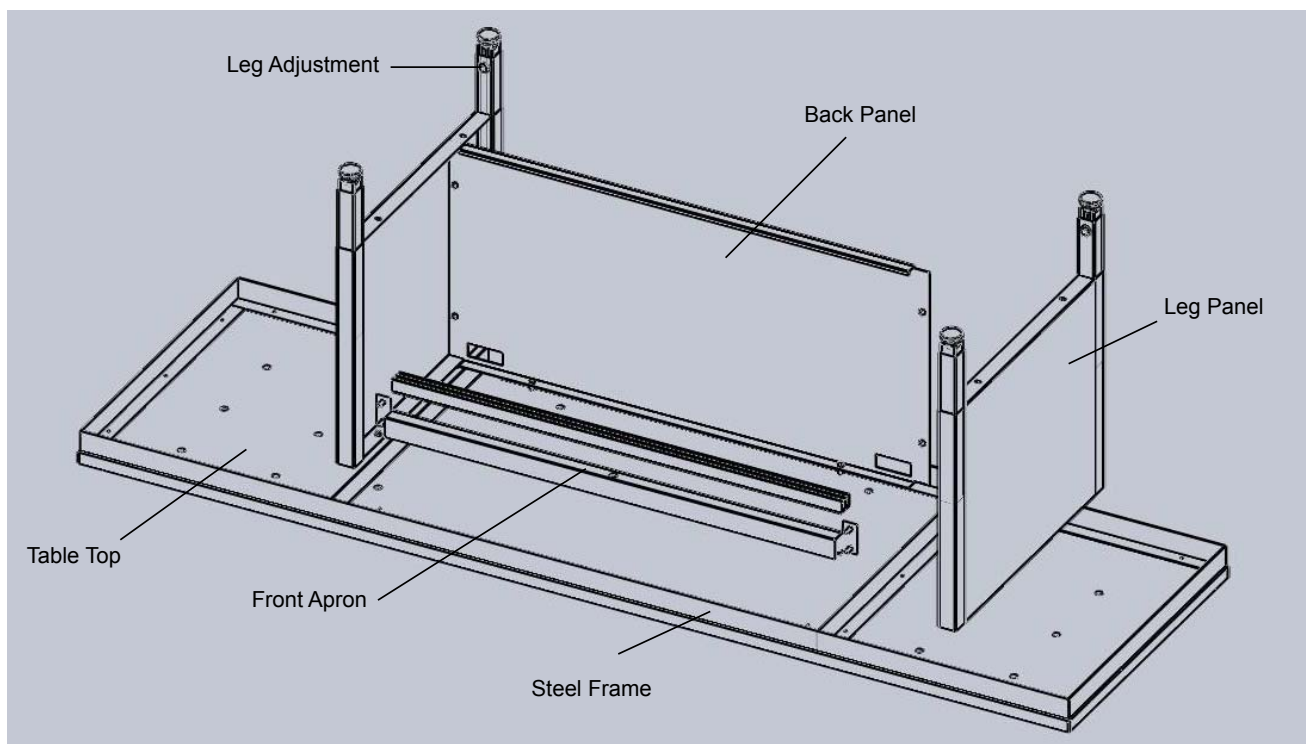
## Assembling the Modules

### Cabinet Assembly and Frame

(M-TOP-6028 or M-TOP-7228, MT-FR-4528)

Box 1		Box 2	
Qty.	Module Component Part	Qty.	Module Component Part
1	Table Top	2	Side Frames c/w leg inserts and leveling glides
1	Steel Frame (already installed)	1	Back Panel
1	Front Apron (already installed)	14	7/16" Hex Bolt
		14	Lock Washers
		1	9/16" Wrench

**NOTE:** Do not discard packaging material of any of the modules until all contents are located.



#### To assemble the Table:

1. Lay table top down on a clean, padded surface, underside facing up.
2. Locate left and right leg panels and align over pre-drilled nut holes in table top.
3. Install hex bolts into aligned holes in table top. Do not tighten.
4. Repeat for opposite leg
5. To install the back panel, angle the panel and locate at rear of unit, aligning over nut holes with table top. Back panel fits on the inside of each leg.

#### 4 | Furniture Solutions: Assembling Connect+ Table CP6028CON or CP7228CON

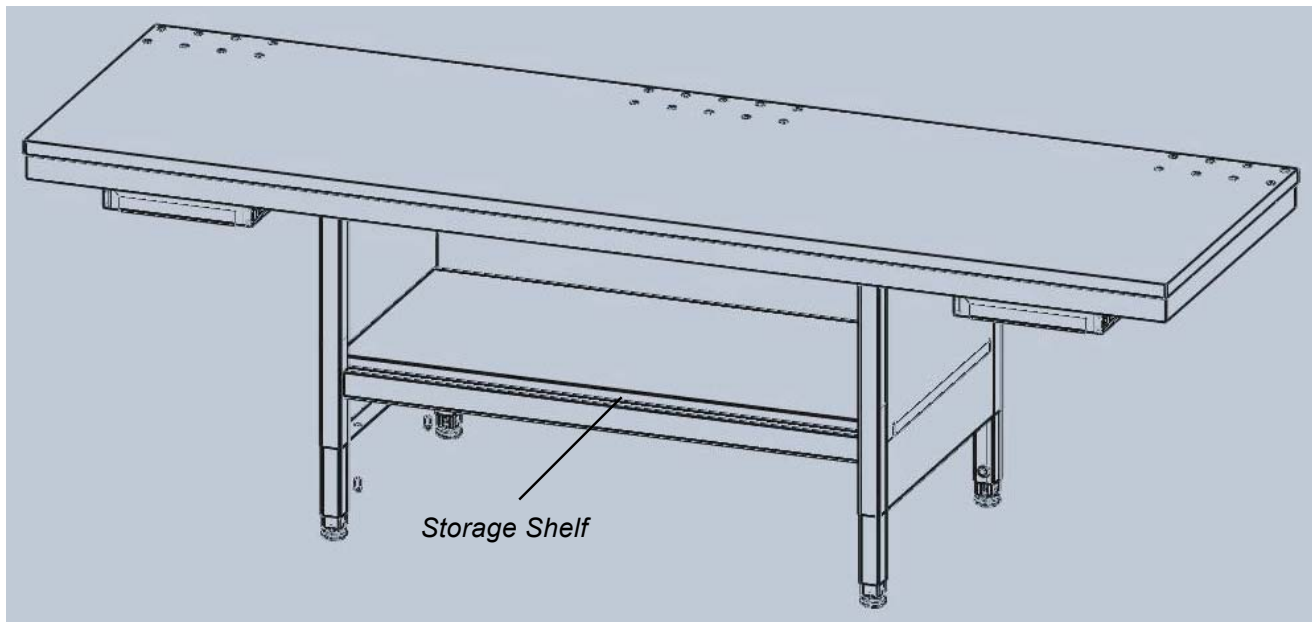
6. Install hex bolts into aligned holes in table top.
7. Install hex bolts into aligned holes on back panel to each Leg.
8. Install hex bolts into aligned holes on the front apron to each leg.
9. Tighten all bolts with wrench provided.
10. To adjust legs, loosen nut with wrench provided. Align with desired index mark, then tighten locking nut.
11. Flip table over and place in desired location.

## Storage Shelf Assembly for Cabinet

(MSS-4528)

Qty.	Module Component Part
1	Storage Shelf
7	7/16" Hex Bolt
7	Lock Washers

**NOTE:** Do not discard packaging material of any of the modules until all contents are located.



### To assemble the Storage Shelf:

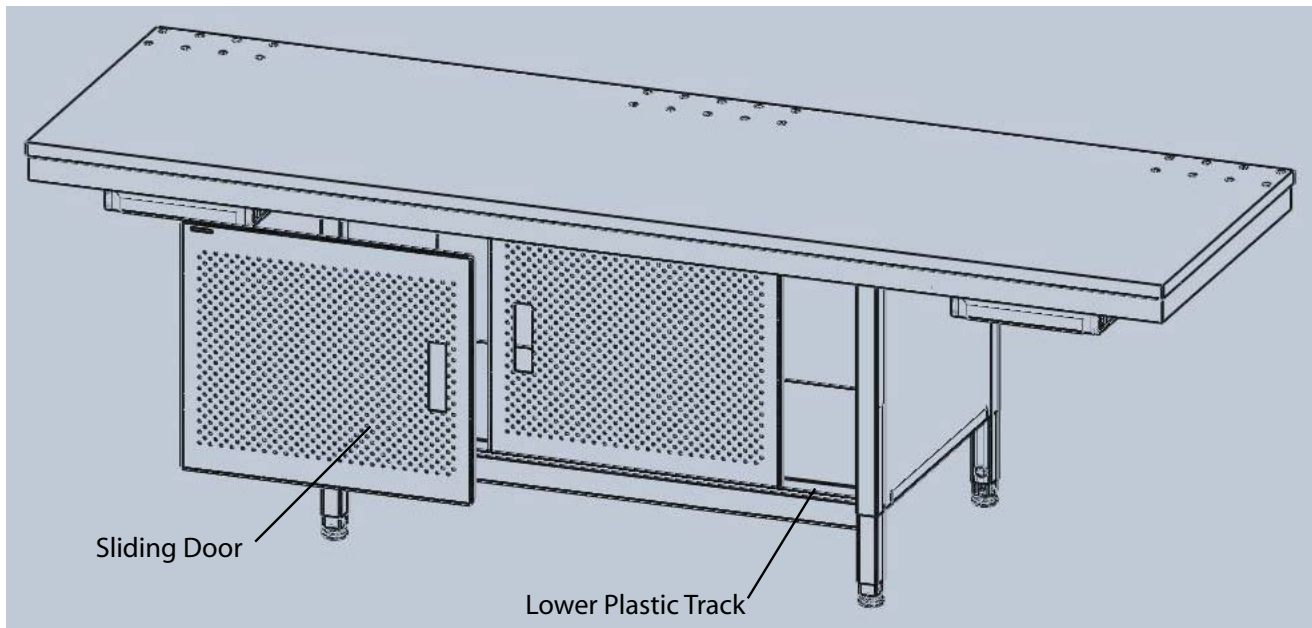
1. Locate front side of storage shelf.
2. Angle shelf and slide into place. Shelf will rest on the inside of each leg apron.
3. Install hex bolts and lock washers into aligned holes in both legs and back panel.
4. Tighten all bolts with wrench provided.

### Sliding Door Assembly for Cabinet

(MSD-4533)

Qty.	Module Component Part
2	Sliding Doors
1	Plastic Track
1	Set of Keys

**NOTE:** Do not discard packaging material of any of the modules until all contents are located.



#### To assemble the Sliding Door Assembly:

**NOTE:** Upper track is already installed with table.

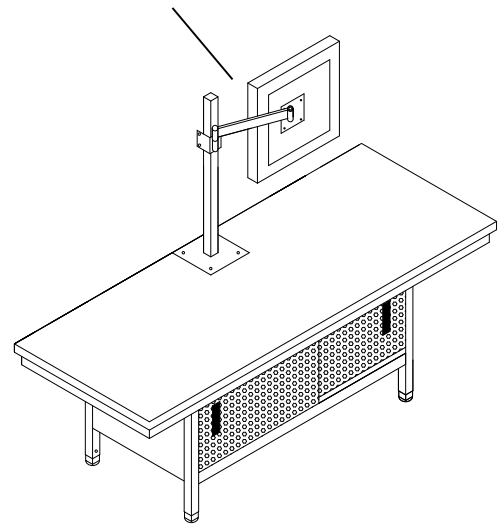
1. Locate plastic track and place into cavity located at the front of storage shelf.
2. Locate both sliding doors.
3. Place one door into rear of both upper and lower tracks and slide left.
4. Place the other door into front of both upper and lower tracks and slide right.
5. Turn key that came with doors to make sure that doors lock.

### Accessory Assembly for Cabinet

(M-POST-28H, M-9085-WR)

Qty.	Module Component Part
	(Each Item is packaged separately)
1	Monitor Post (Upright Stand)
1	Monitor Mount (Swivel Arm)

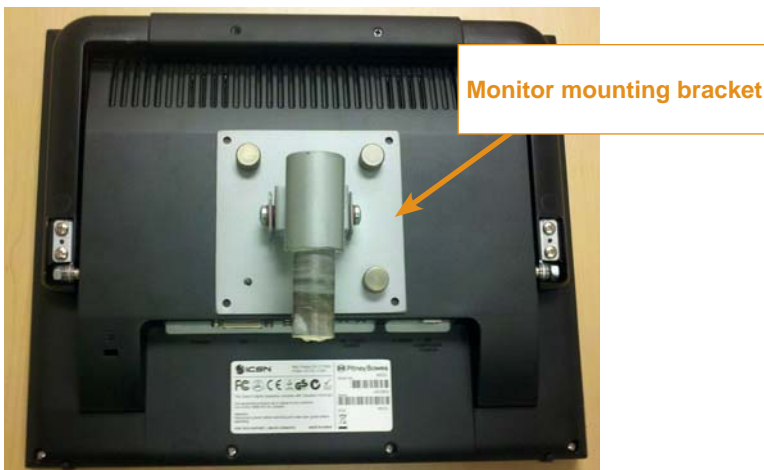
Monitor upright stand and swivel arm



**BEFORE YOU BEGIN:** All accessories are packaged with the correct amount of bolts to attach to the table top. Do not discard the packaging material of any of the modules until all contents are located.

#### To assemble the Accessory Assembly (the monitor's swivel arm and upright stand):

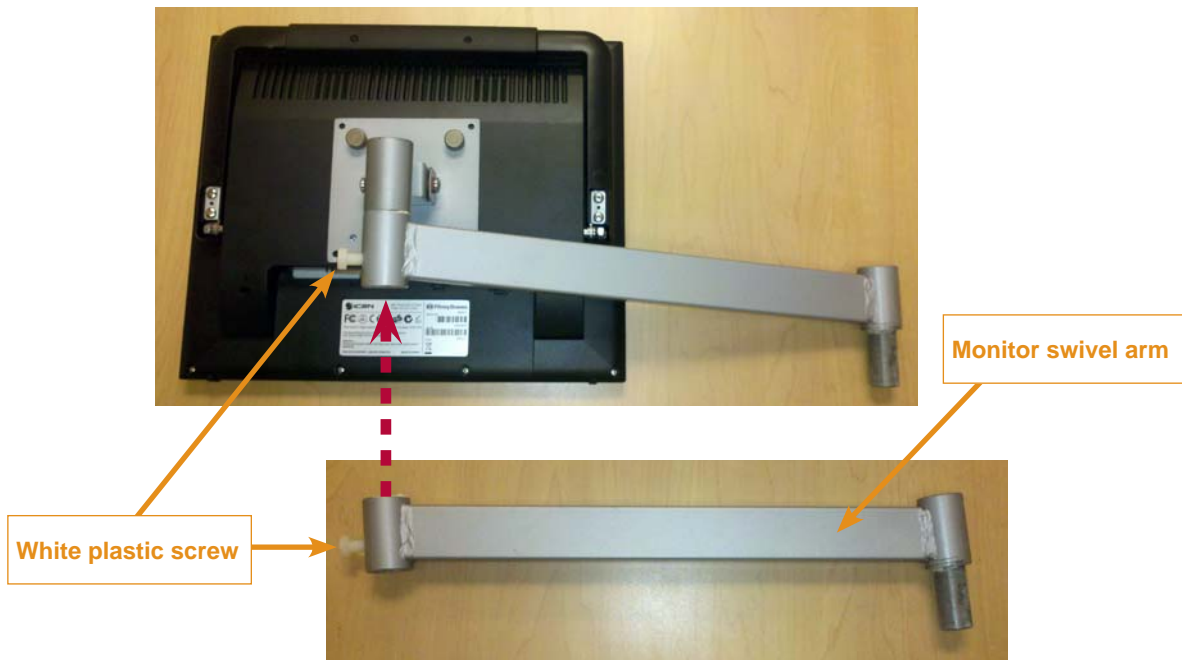
1. Attach the monitor mounting bracket to the back of the monitor.



## 8 | Furniture Solutions: Assembling Connect+ Table CP6028CON or CP7228CON

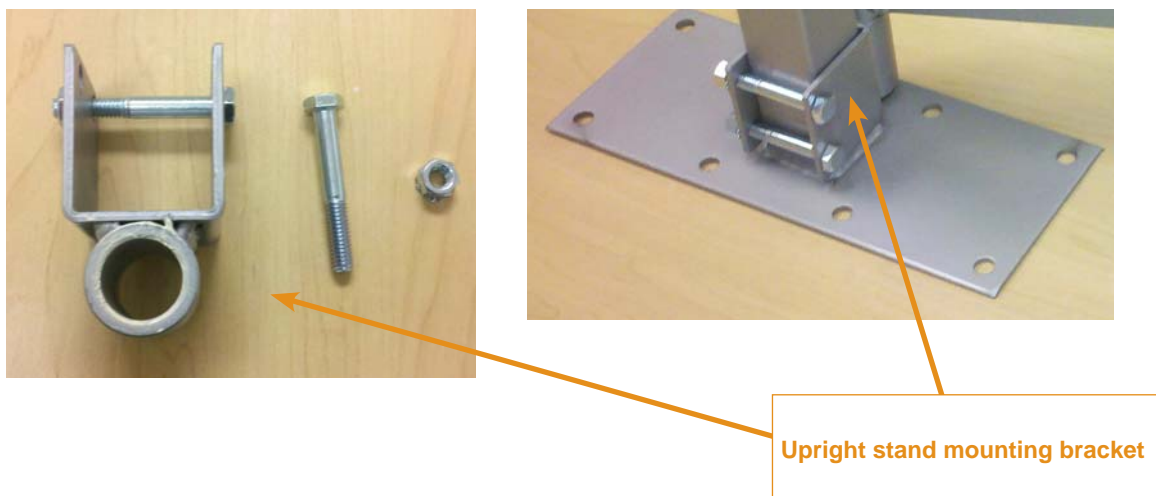
2. Attach the monitor swivel arm to the monitor mounting bracket using the white plastic screw to secure the connection.

**NOTE:** When tightening the white plastic screw, leave it loose enough for the monitor to swivel as needed.



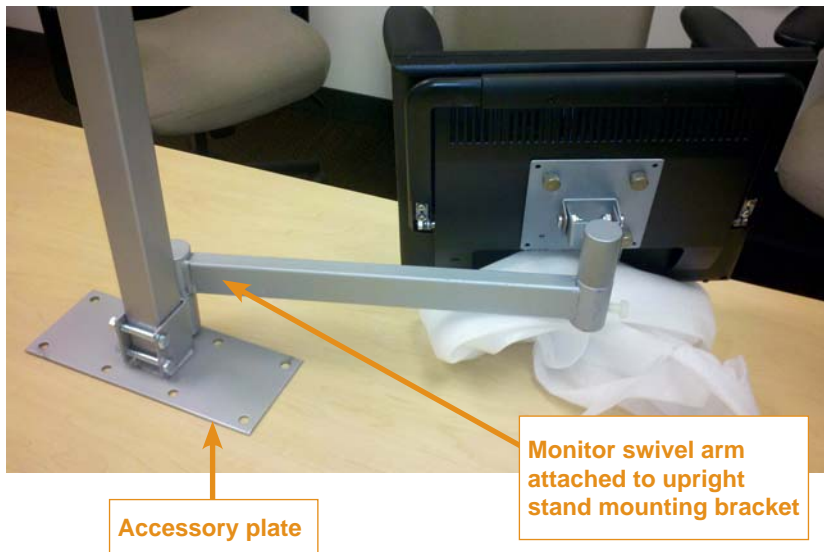
3. Attach the upright stand mounting bracket to the base of the stand, using the two bolts provided.

**NOTE:** Do not fully tighten the bracket at this time. Leave it loose for now so that you can adjust the height of the bracket later.





4. Attach the monitor swivel arm to the the upright stand mounting bracket.



5. Position the upright stand's accessory plate over the desired set of pre-drilled inserts on the tabletop (left corner, center, or right corner).
6. Attach the upright stand to the tabletop by screwing the bolts through the accessory plate into the pre-drilled inserts.
7. Slide the monitor swivel arm up to the desired height on the upright stand, then tighten the upright stand mounting bracket to secure the arm at that position.

**IMPORTANT:** When adjusting the height of the monitor swivel arm on the upright stand:

- Make sure you properly adjust the height so that there are no impediments to movement in any direction.
- Pay attention to cable management!

