

Heavy-Duty Modular Furniture

Scale Table Assembly

(D-9003)

Component Parts:

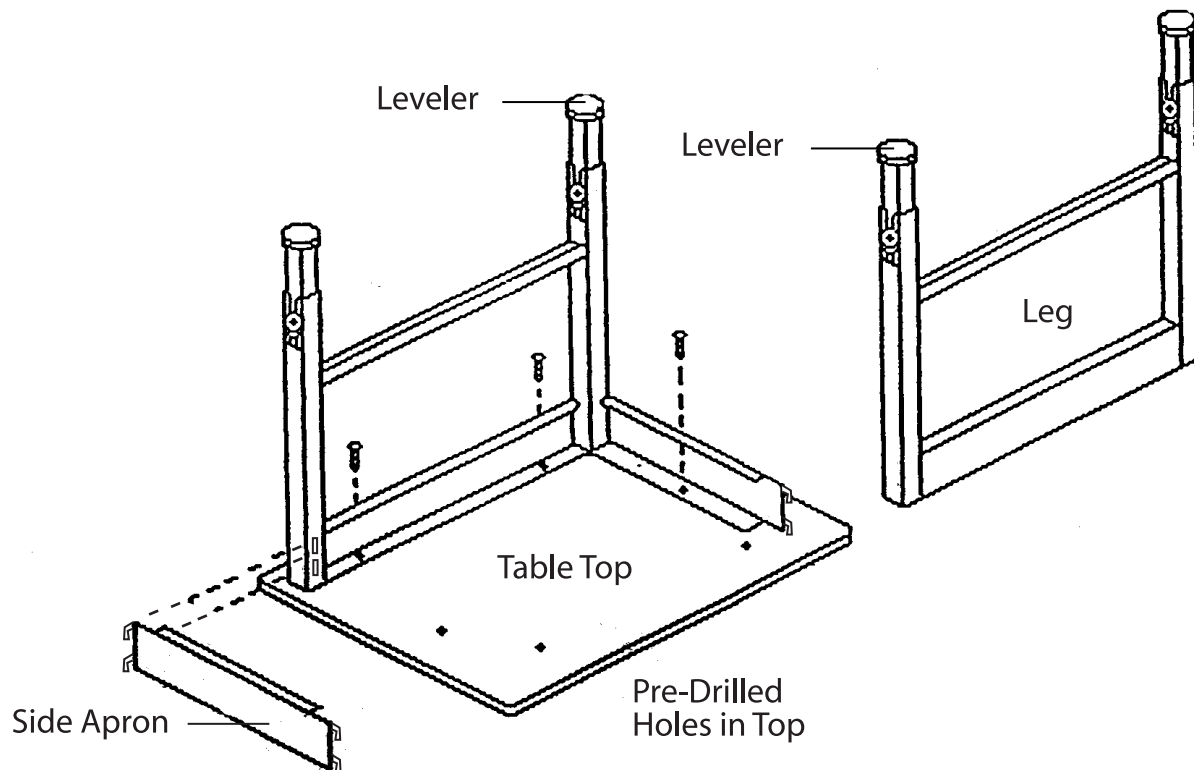
- 1 - Table Top
- 2 - Side Aprons
- 2 - Table Legs
- 8 - #10 x 7/8 Combination Head Screws

Scale Table Assembly:

1. Place table top upside down.
2. Line up table legs with the holes in the table top.
3. Repeat for other table leg.
4. Install side apron to leg tubes and table top.
5. Fasten completed frame loosely with #10 x 7/8 combination Head screws in appropriate holes through frame to top.
6. Tighten all the screws.

Table Height Adjustment:

1. Adjustable leg channel on each leg member telescopes out and is notched every inch to make adjustment easy.
2. To adjust, loosen bolt on leg member and raise adjustable leg to the desired height; secure bolt.
3. Turn table upright to operating position.



Do not discard packaging material until all contents are located