

Heavy-Duty Modular Furniture

Extension Top Assembly

(D-9007 & D-9008)

D-9007

Box Contents:

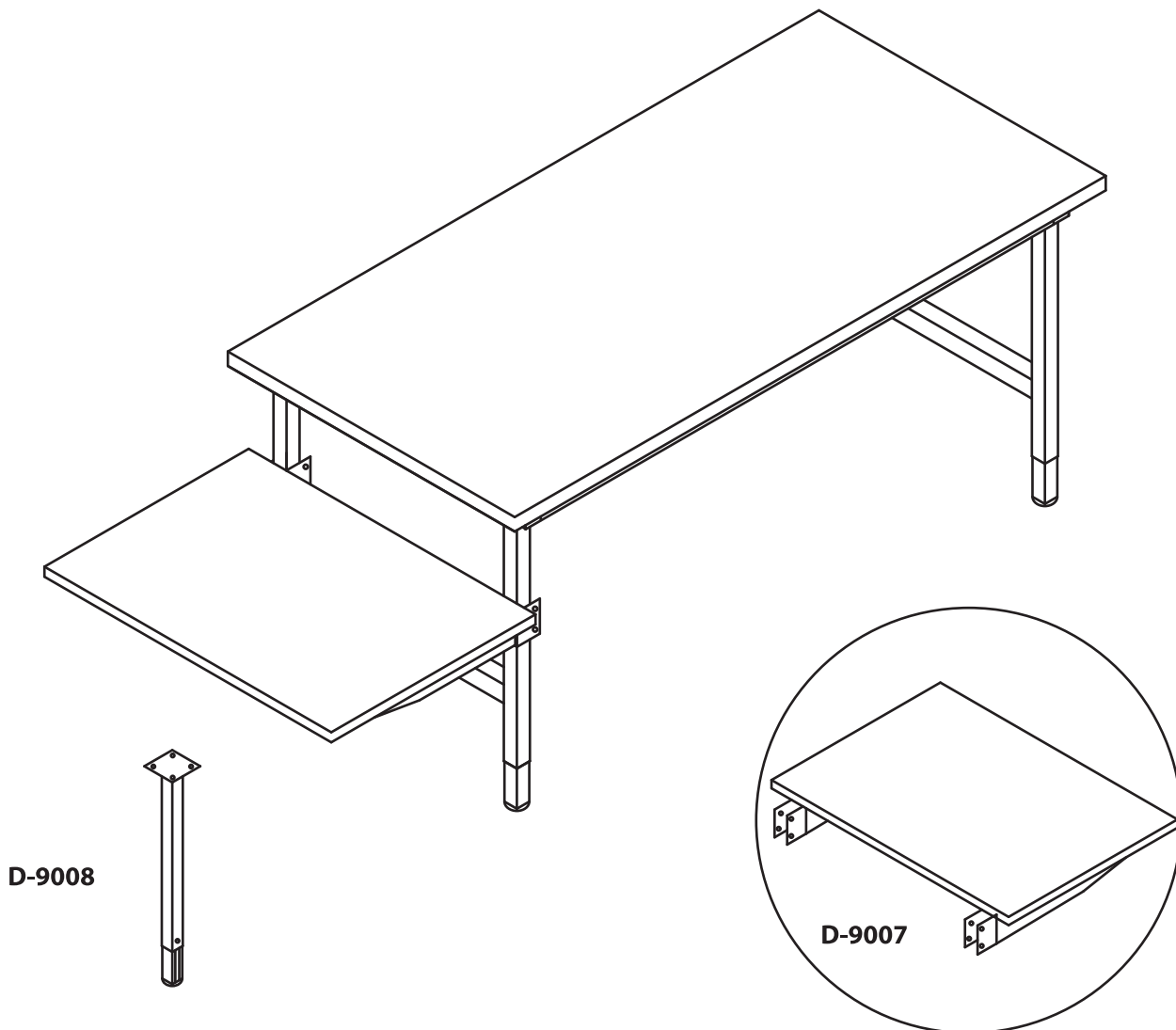
- 1 - Top 23-1/2 x 33
- 2 - Mounting brackets
- 6 - #10 x 7/8 Combination Head Screws
- 4 - 5/16-18 x 2-1/4 Hex Head Cap Screw

Table Assembly:

1. Mount Brackets to Legs to desired location using 2-1/4 Hex Head Cap Screw
2. Put Top onto brackets centered
3. Screw Top to Brackets with #10 x 7/8 Combination Head Screws

D-9008

- 4 - #10 x 7/8 Combination Head Screws



Do not discard packaging material until all contents are located