

Heavy-Duty Modular Furniture

Metal Side Table Assembly

(D-9009)

Box Contents:

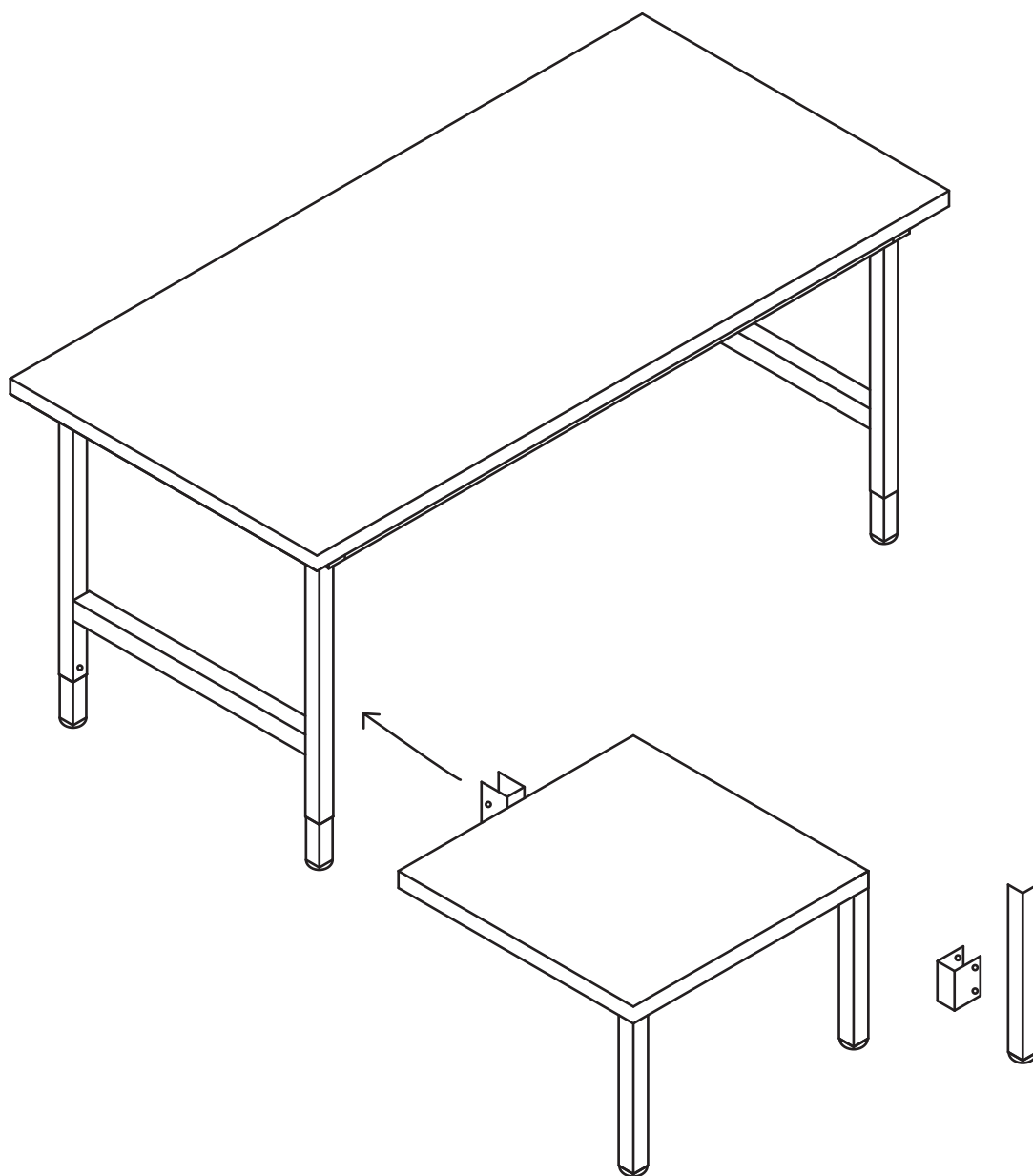
- 1 - Metal Table Top 24 x 24
- 1 - Support U-Bracket
- 2 - Support Legs 15"H

Hardware:

- 4 - 1/4-20 x 3/4 Hex Head Cap Screw
- 4 - 1/4-20 Keps Nut
- 1 - 5/16-18 x 2-1/4 Hex Head Cap Screw

Metal Side Table Assembly:

1. Bolt both legs to Table Top
2. Mount U-Bracket to Table Frame



Do not discard packaging material until all contents are located