

Heavy-Duty Modular Furniture

Metal 1-Drawer Unit & Lock

(D-9010N, D-9015)

Component Parts:

- 1 - Metal 1-Drawer Unit
- 1 - Drawer Casing
- 2 - Mounting Brackets
- 8 - #10 x 5/8" Combination Screws
- 6 - 1/4 x 3/4 Screws

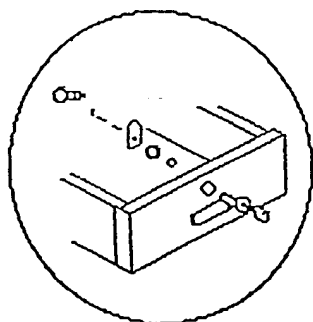
Metal 1-Drawer Unit Assembly:

1. All tops are pre-drilled, RIGHT and LEFT side, to accept mounting brackets.
2. Assemble mounting brackets with #10 combination screws to table, as shown.
3. Remove drawer from casing by pulling drawer half way out, ready inside and pull down drawer stop.
4. Assemble drawer casing to mounting bracket with 1/4 x 3/4 screws.
5. Slide drawer back into casing.

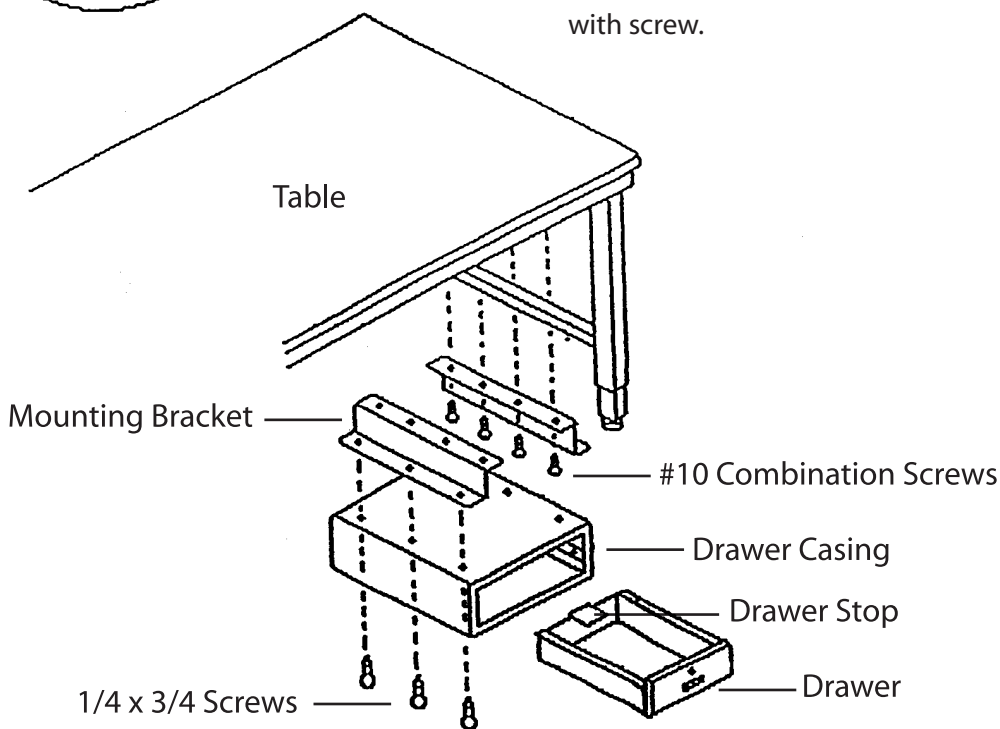
NOTE: INSTALLATION IS EASIER IF TABLE IS UPSIDE DOWN.

Lock for Metal 1-Drawer Unit (Optional):

1. Punch out depression in drawer unit front.
2. Disassemble all parts of lock - 7 pieces total.
3. Insert tube part of lock into punched out depression in drawer unit from outside of drawer.
4. Place nut onto tube from inside of drawer unit and tighten.
5. Place key into key receive and then insert receiver into tube part, already in drawer.
6. Place washer and flat bar into tube and secure firmly with screw.



Lock Assembly



Do not discard packaging material until all contents are located