

Heavy-Duty Modular Furniture

Side and Back Panels

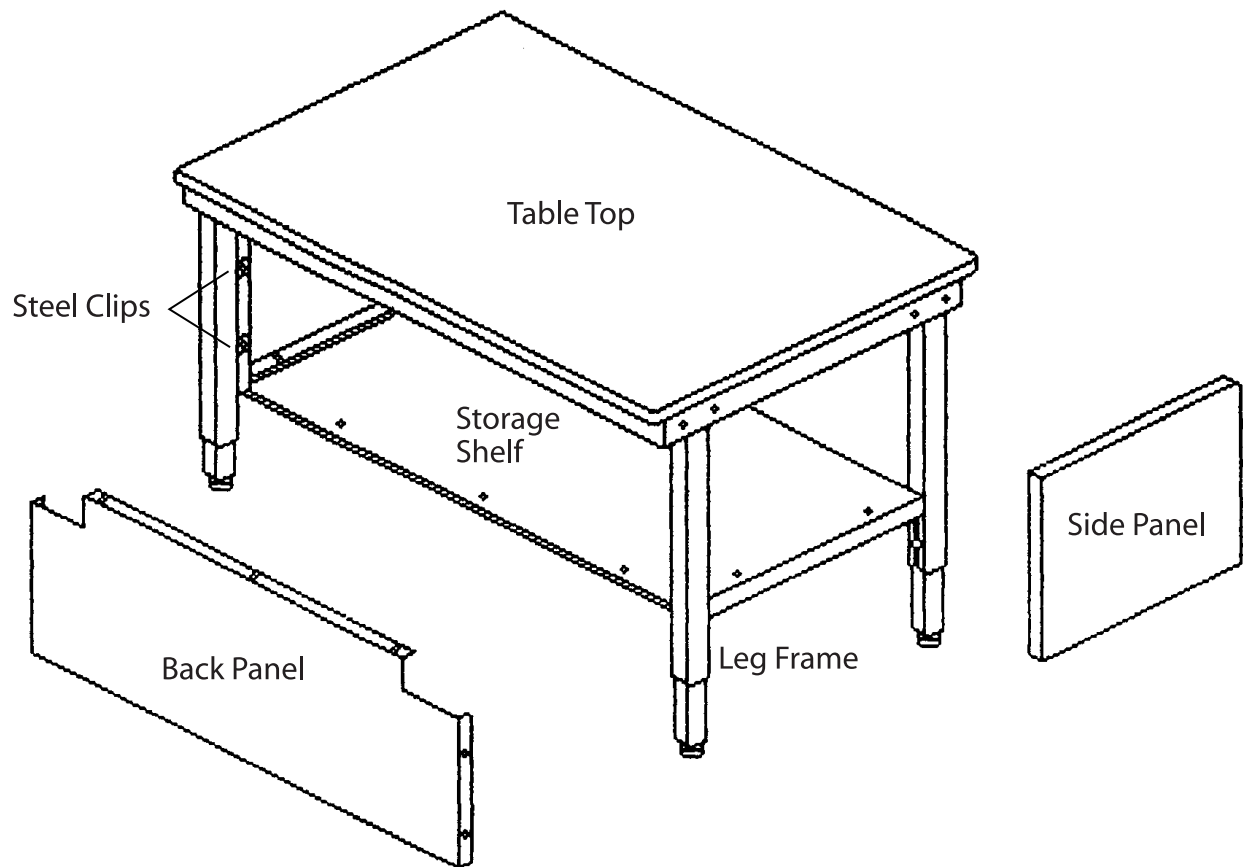
(D-9020, D-9020C)

Component Parts:

- 1 - Back Panel
- 2 - Side Panels
- 14 - #10 x 5/8 Combination Screws

Side and Back Panel Assembly:

1. Push side panel up into table frame and match holes on bottom flange of side panels with holes on storage shelf.
2. Secure with two #10 x 5/8 combination screws.
3. Push back panel up into frame and match holes on back panel flanges with holes in side panels, storage shelf and table frame.
4. Secure back panel with four screws to side panels; fasten to storage shelf with 3 screws; and fasten to top with three screws.



Do not discard packaging material until all contents are located