

Heavy-Duty Modular Furniture

Metal Storage Shelf

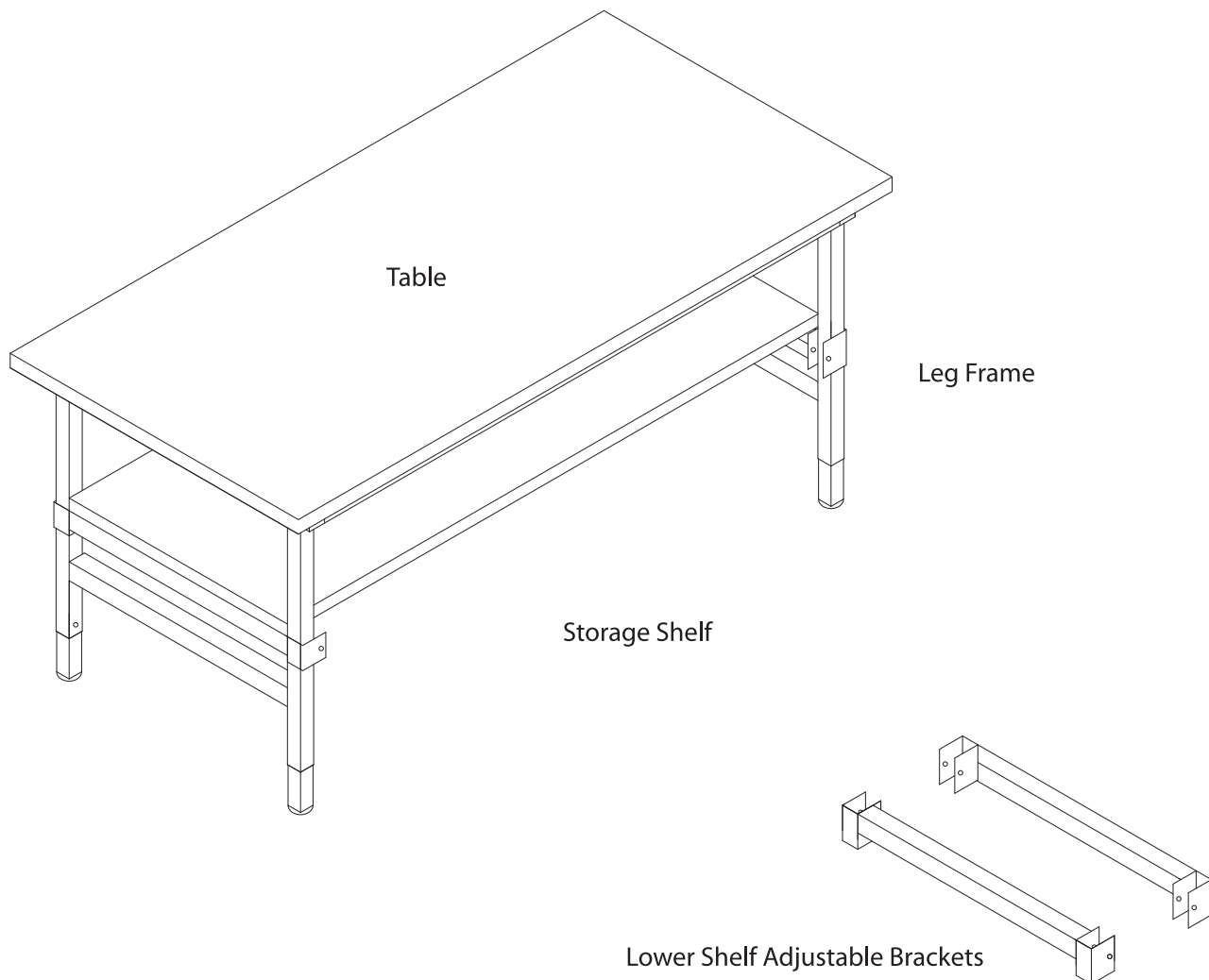
(D-9021-AHBR)

Component Parts:

- 2 - Lower Shelf Adjustable Brackets
- 4 - 5/16-18 x 2-1/4 Hex Head Cap Screw

Metal Storage Shelf Adjustable Bracket Assembly:

1. Bolt Brackets onto leg assembly in desired location.
2. Set lower shelf with formed edges down, on cross bar of Adjustable Brackets.
3. Extended formed edges at either end of shelf should be secure on outside of Adjustable Brackets.



Do not discard packaging material until all contents are located