

Heavy-Duty Modular Furniture

Metal Sliding Doors

(D-9022)

Component Parts:

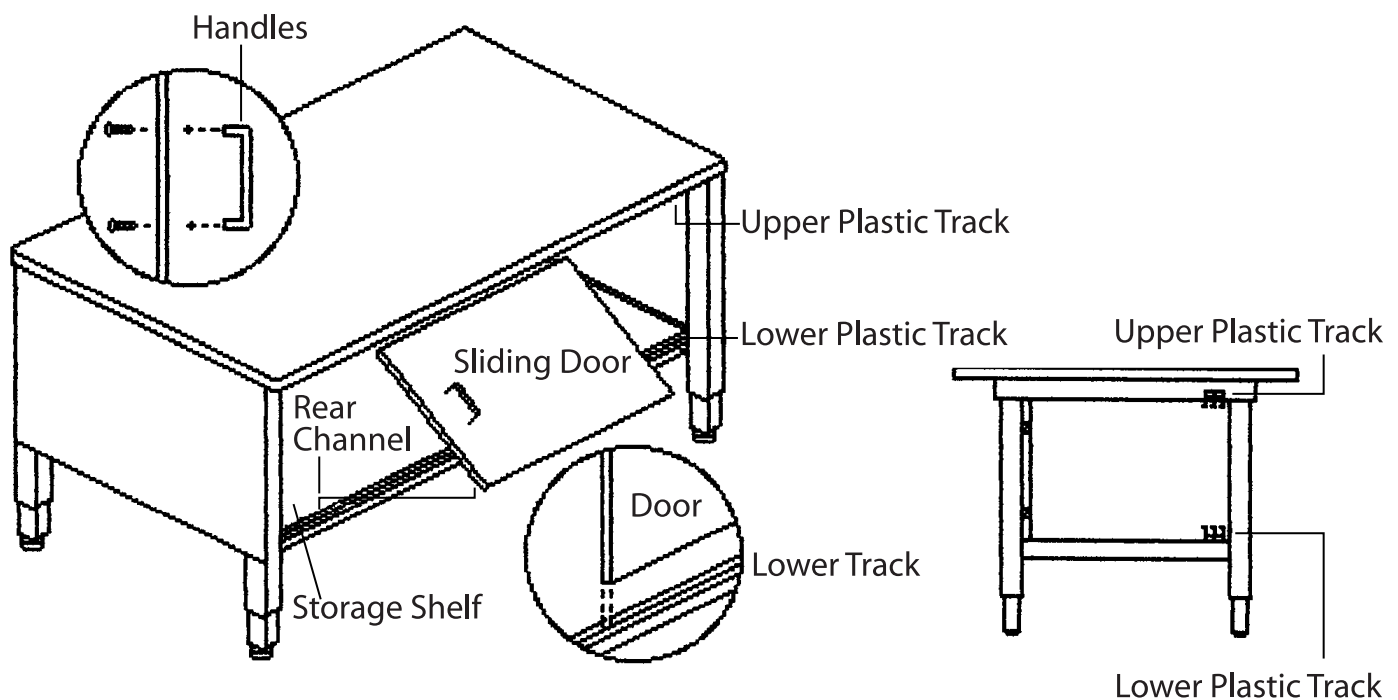
- 2 - Sliding Doors
- 2 - Handles c/w 4 - 1/4-20 x 1/2 screws
- 1 - Section of Plastic Upper Track
- 2 - Sections of Plastic Lower Track
- 1 - Roll of Double-Sided Tape
- 4 - #10 x 5/8 Combination Screws

NOTE: If hardware is missing, any #10 x 5/8 self-tapping screw can be used.

Sliding Door Assembly:

1. Remove handle hardware from bag and install through mounting holes on both sliding doors.
2. Install plastic lower track to storage shelf with double-sided tape, just behind side panel flange.
3. Install plastic upper track with three screws to top, plumb with lower track.
4. With handles always closest to end panels, insert top of door into rear upper track; lift, and drop bottom of door into rear lower track. Left hand sliding door is now installed.
5. Repeat step 4 for right hand sliding door, using front upper and lower track.

NOTE: Storage shelf and side and back panels MUST be ordered separately and installed before the sliding doors.



Do not discard packaging material until all contents are located