

Heavy-Duty Modular Furniture

Metal Splashers

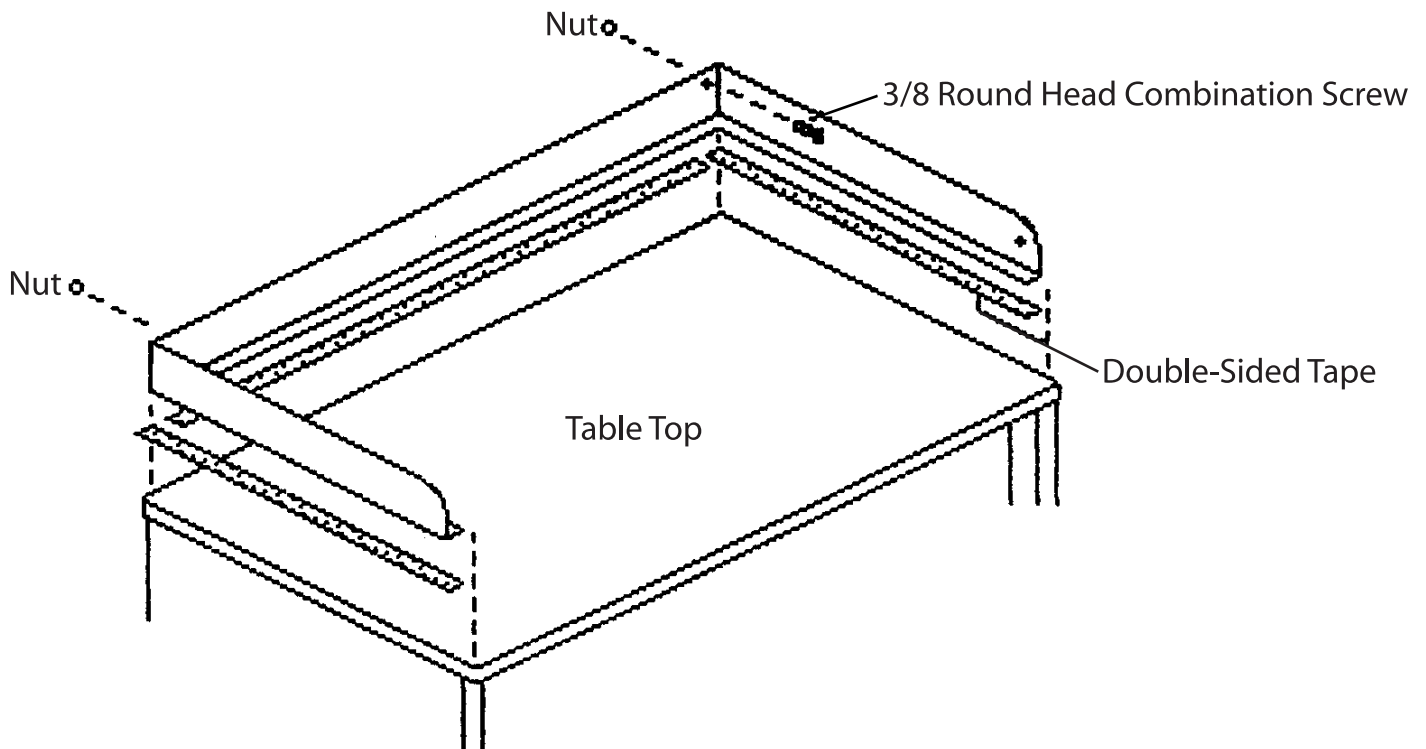
(D-9023)

Component Parts:

- 1 - Back Splasher
- 2 - Side Splashers
- 2 - 3/4" Double-Sided Tape 30-3/4" Long
- 1 - 3/4" Double-Sided Tape 67-3/4" Long
- 2 - 1/4-20 x 3/8 Round Head Combination Screws
- 2 - 1/4-20 x 3/8 Kep Nut
- 6 - #10 x 7/8 Combination Head Screws

Metal Splashers Assembly:

1. Make sure double-sided tape is applied to bases of splasher assembly parts.
2. Attach splasher sides to back, using screws and nuts provided.
3. Set splasher assembly onto table top and position at rear of top and equal spacing at sides. Mark position with a pencil.
4. Remove backer from double-sided tape on all parts and re-position assembly onto table top, using pencil marks as a guide and press down firmly to bond.
(Screws for mounting onto top are not supplied. If desired, installer to supply hardware.)
5. Screw into table top if required.



Do not discard packaging material until all contents are located