

Heavy-Duty Modular Furniture

Metal Splashers

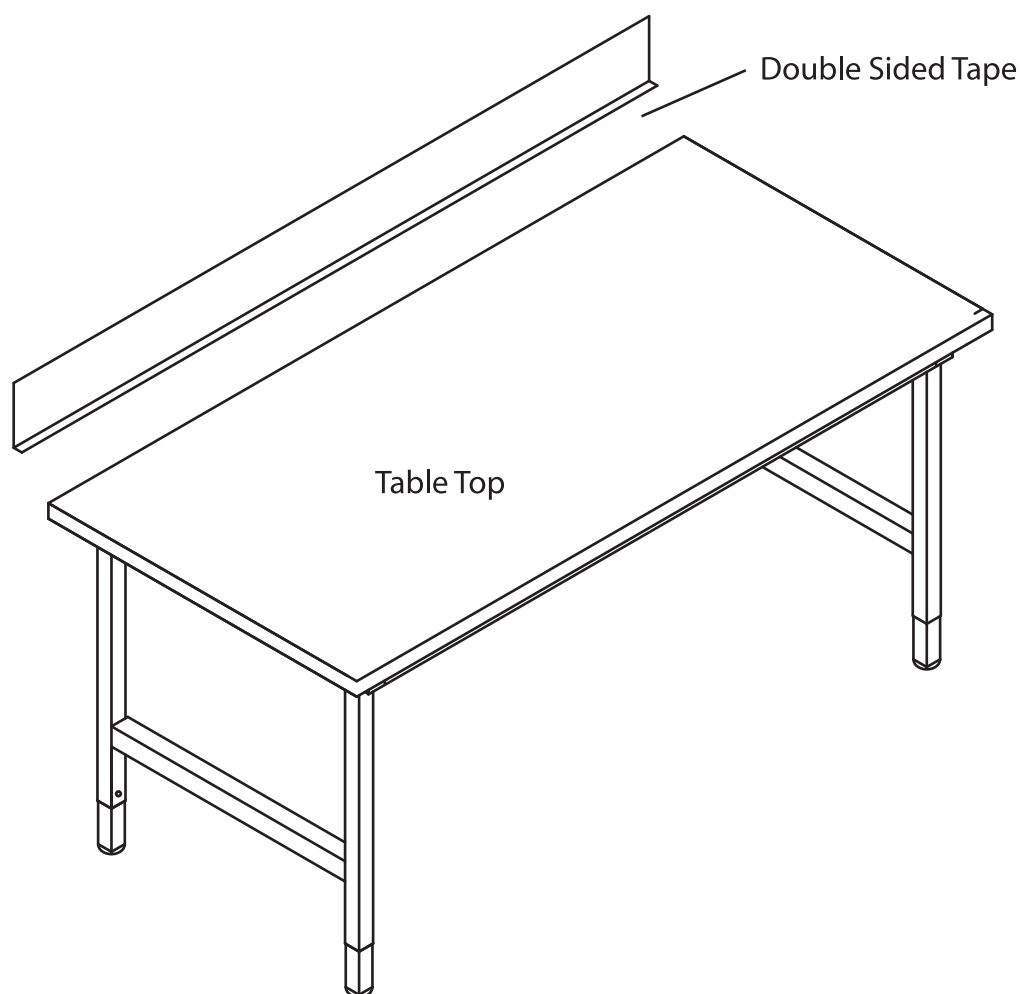
(D-9023B)

Component Parts:

- 1 - Back Splasher
- 1 - 3/4" Double-Sided Tape 67-3/4" Long
- 2 - #10 x 7/8 Combination Head Screws

Metal Splashers Assembly:

1. Make sure double-sided tape is applied to bases of splasher assembly.
2. Set splasher assembly onto table top and position at rear of top and equal spacing at sides. Mark position with a pencil.
3. Remove backer from double-sided tape on all parts and re-position assembly onto table top, using pencil marks as a guide and press down firmly to bond.
4. Screw into table top, if required



Do not discard packaging material until all contents are located