

# Heavy-Duty Modular Furniture

## Carton Rack with 6 Dividers & T-Uprights

(D-9031)

### Component Parts:

- 1 - Cartoning Rack
- 6 - Wire Dividers
- 2 - T-Uprights with Adjustable Brackets
- 24 - 5/16" Flat Washers
- 12 - 3/8-16 Hex Nuts
- 4 - 1/4-20 x 1/2" Round Head Screws
- 4 - 1/4-20 Kepnuts
- 4 - 5/16-18 x 2-1/4" Hex Head Cap Screws

### T-Upright Assembly:

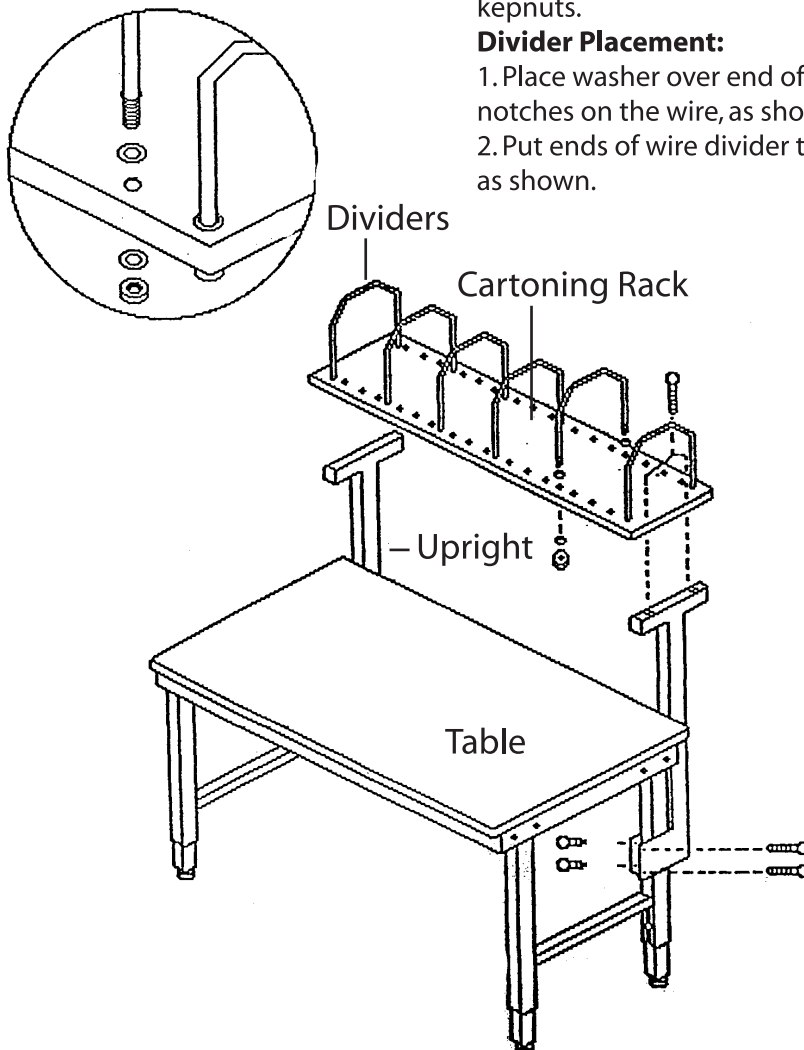
1. Place welded bracket on leg frame, as shown. Slide upright up or down to desired height.
2. Secure welded bracket with 2-1/4" screws, washers and nuts provided.
3. Attach second T-Upright, making sure it is positioned at the same height as the first.

### Cartoning Rack Assembly:

1. Place Cartoning Rack on T-Uprights, as shown.
2. Align pre-drilled holes in cartoning rack with holes in T-Uprights. Front edge of cartoning rack should stick out over table approximately 9 inches. NOTE: If the majority of the cartoning rack hangs over the back edge of table, turn assembly 180 degrees and reposition on T-Upright.
3. Secure cartoning rack to T-Upright with 1/4-20 screws and kepnuts.

### Divider Placement:

1. Place washer over end of divider so it rests against notches on the wire, as shown.
2. Put ends of wire divider through holes on cartoning rack, as shown.



\*Do not discard packaging material until all contents are located\*