

Heavy-Duty Modular Furniture

Cartoning Rack Only (with holes) Assembly

(D-9031A)

Component Parts:

1 - Cartoning Rack (with Holes)

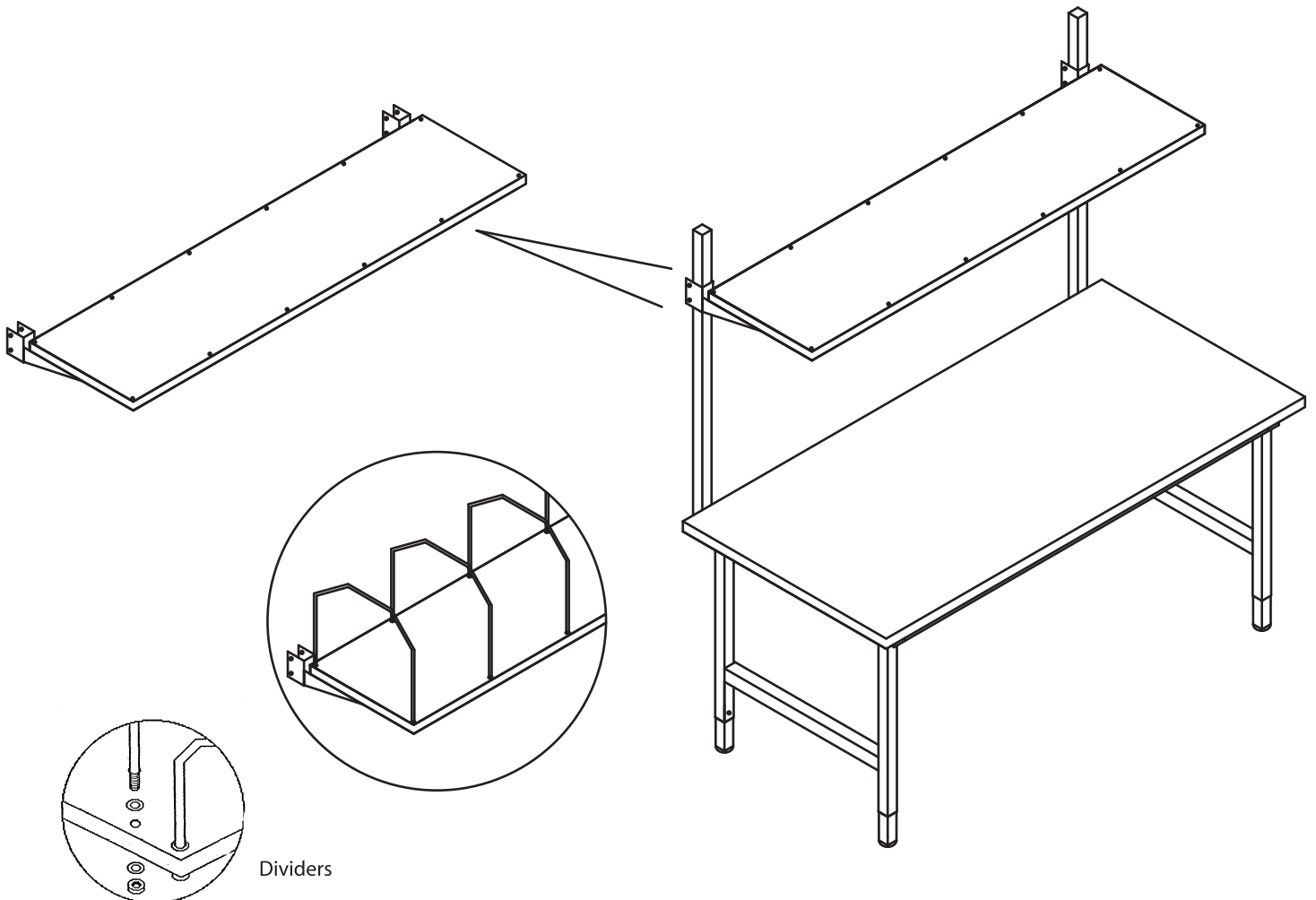
Note: If mounting to uprights, hardware comes with D-9049 Support Brackets.

Cartoning Rack Assembly:

1. Place Cartoning Rack on support brackets as shown.
2. Align pre-drilled holes in cartoning rack with holes in the support brackets. Front edge of cartoning rack should stick out over table approximately 9 inches.
3. Secure cartoning rack to brackets with 5/16-18 x 2-1/4 Hex Head Cap Screws.

Divider Placement (if ordered):

1. Place washer over end of divider so it rests against notches on the wire, as shown.
2. Put ends of wire divider through holes on cartoning rack, as shown.
3. Place another washer over wire ends and secure with 3/8-16 hex nuts.
4. Do not over tighten. The wires should not protrude out of the hex nuts.



Do not discard packaging material until all contents are located