

Heavy-Duty Modular Furniture

Cartoning Rack Only (no holes) Assembly

(D-9031C)

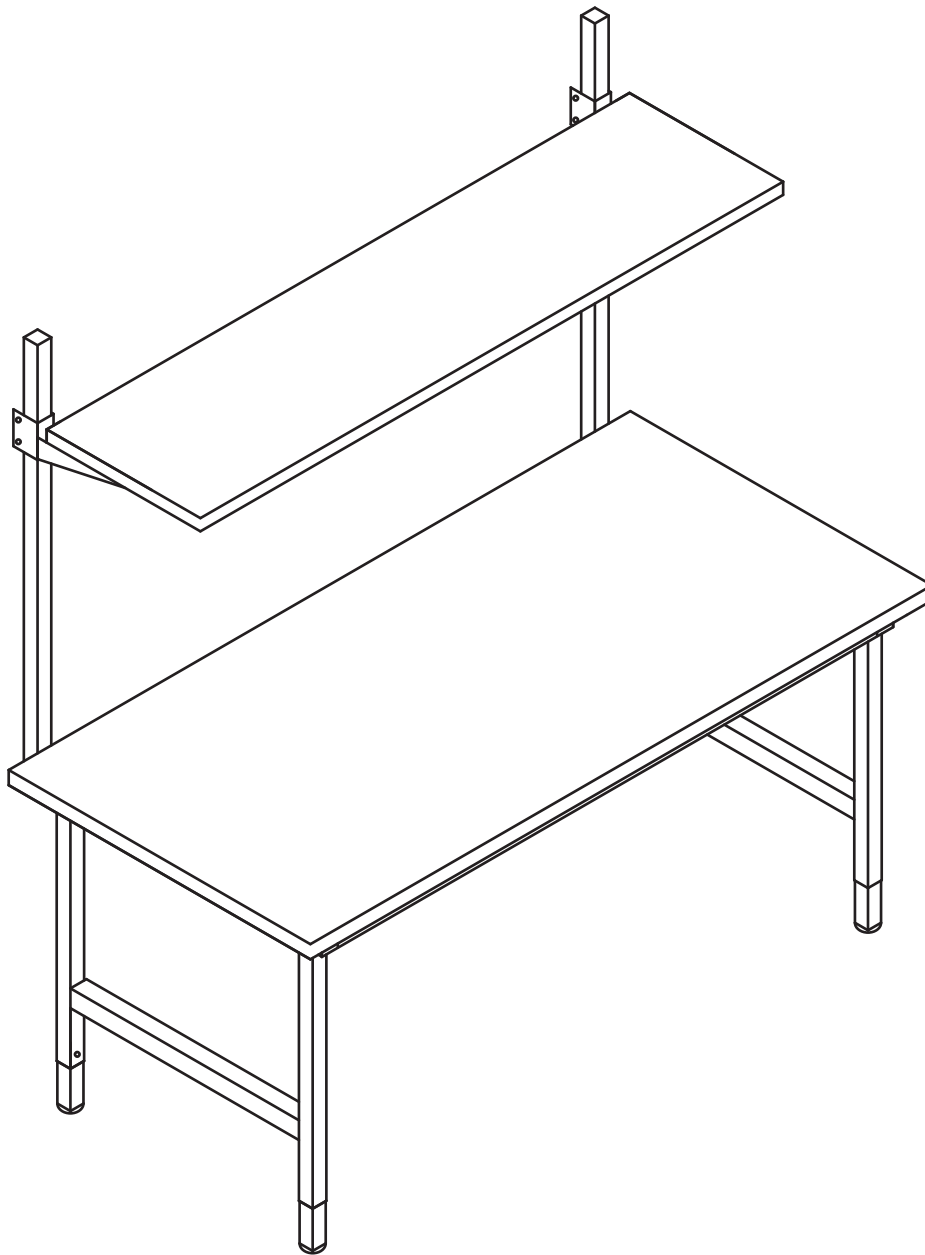
Component Parts:

1 - Cartoning Rack (No Holes)

Note: If Mounting to uprights, hardware comes with D-9049 Support Brackets.

Cartoning Rack Assembly:

1. Place Cartoning Rack on support brackets as shown.
2. Align pre-drilled holes in cartoning rack with holes in the support brackets. Front edge of cartoning rack should stick out over table approximately 9 inches.
3. Secure cartoning rack to brackets with 5/16-18 x 2-1/4 Hex Head Cap Screws.



Do not discard packaging material until all contents are located