

Heavy-Duty Modular Furniture

Cartoning Rack Only (No Holes) for between Uprights Assembly

(D-9031CC-5917)

Box Contents:

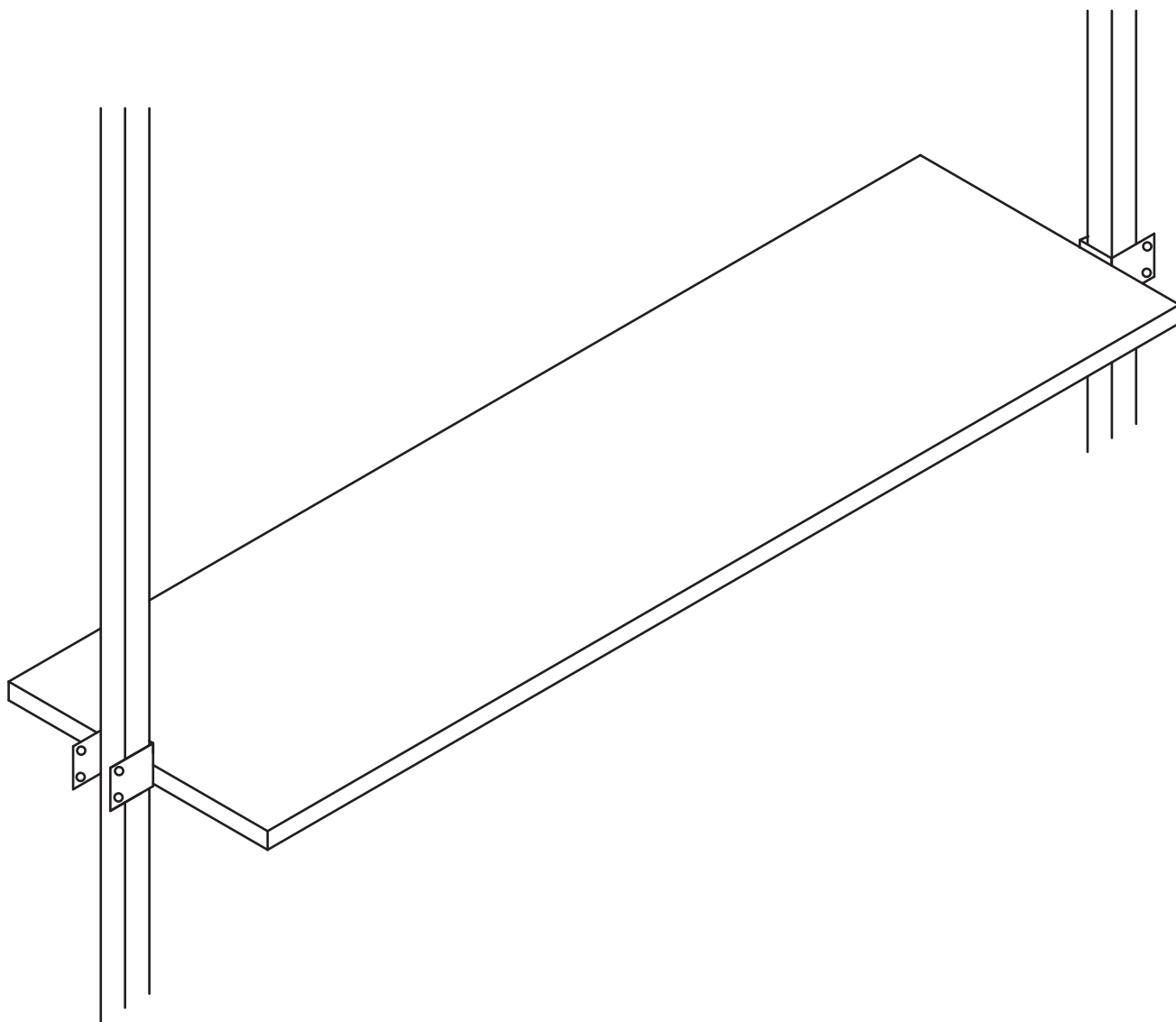
- 1 - Shelf
- 1 - Brackets (set of 2)

Hardware:

- 4 - 5/10-18-2/14 Hex Head Cap Screw
- 4 - 5/16 Lock Nut

Cartoning Rack Only (No Holes) for between Uprights Assembly:

- 1 .Mount between uprights at desired height.



Do not discard packaging material until all contents are located