

Heavy-Duty Modular Furniture

Document Shelf / Shelf Dividers

(D-9032, D-9033)

Component Parts:

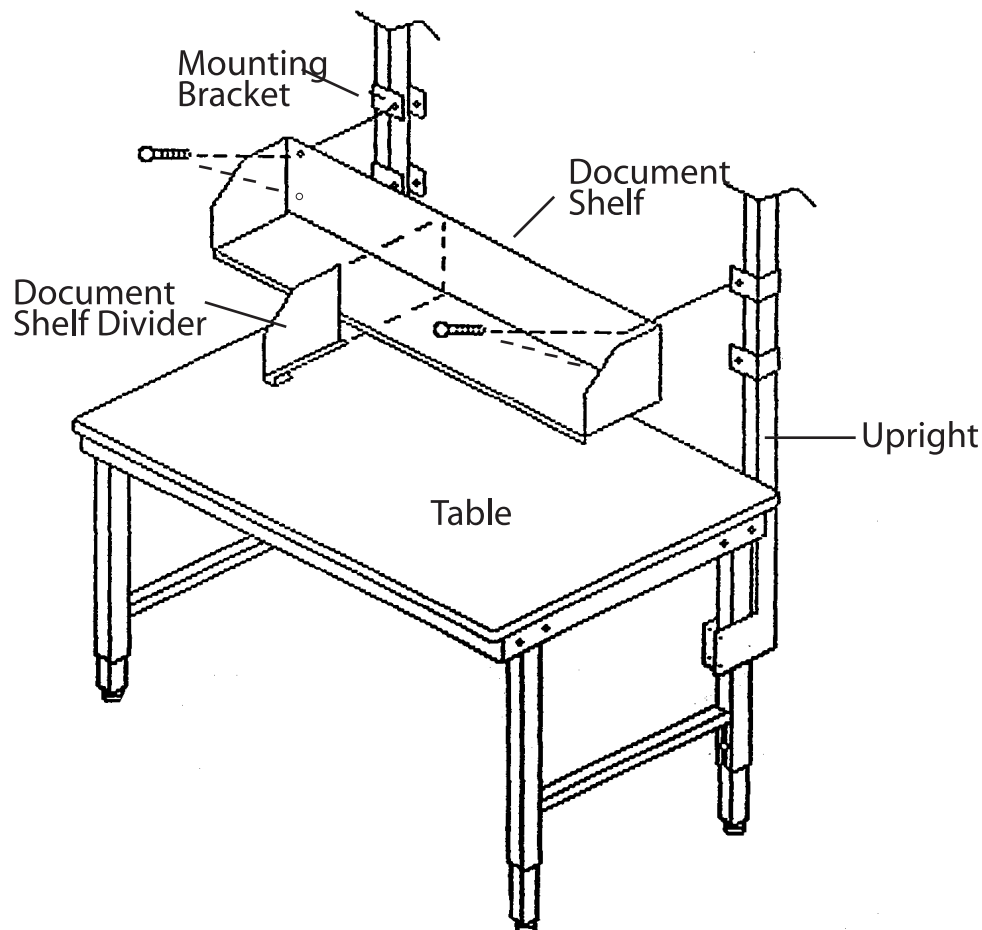
- 1 - Document Shelf
- 4 - Mounting Brackets
- 4 - 5/16-18 x 2-1/4" Hex Cap Screws

Document Shelf Assembly:

1. Place document shelf on table, resting against uprights with mounting holes positioned to the inside of the uprights, as shown.
2. Slide mounting brackets onto uprights with holes on inside of upright, facing centre of table.
3. Match holes on document shelf with mounting brackets. Insert 2-1/4" bolt through document shelf and mounting bracket. Position washer on both and tighten loosely with nut supplied. Repeat procedures for other side.
4. Slide document shelf and mounting brackets to desired height and tighten securely. If unlevel, loosen one side and adjust to level.

Document Shelf Divider Assembly (Optional):

1. Slide formed edge onto the formed edge of the document shelf, as shown.
2. Divider can be positioned as required, anywhere along the document shelf.



Do not discard packaging material until all contents are located