

Heavy-Duty Modular Furniture

Cantilever Arm Bracket & Light Mounting Channel

(D-9035, D-9036, D-9036-ADJ)

Component Parts (D-9035):

- 2 - Cantilever Arm Brackets
- 4 - 5/16-18 x 2-1/4 Hex Head Cap Screws

Component Parts (D-9036):

- 1 - Light Mounting Channel
- 4 - 10-24 x 3/8 Combination Screw
- 4 - 10-24 Keps Nut
- 2 - 5/16-18 x 2-1/4 Hex Head Cap Screw

Component Parts (D-9036-ADJ):

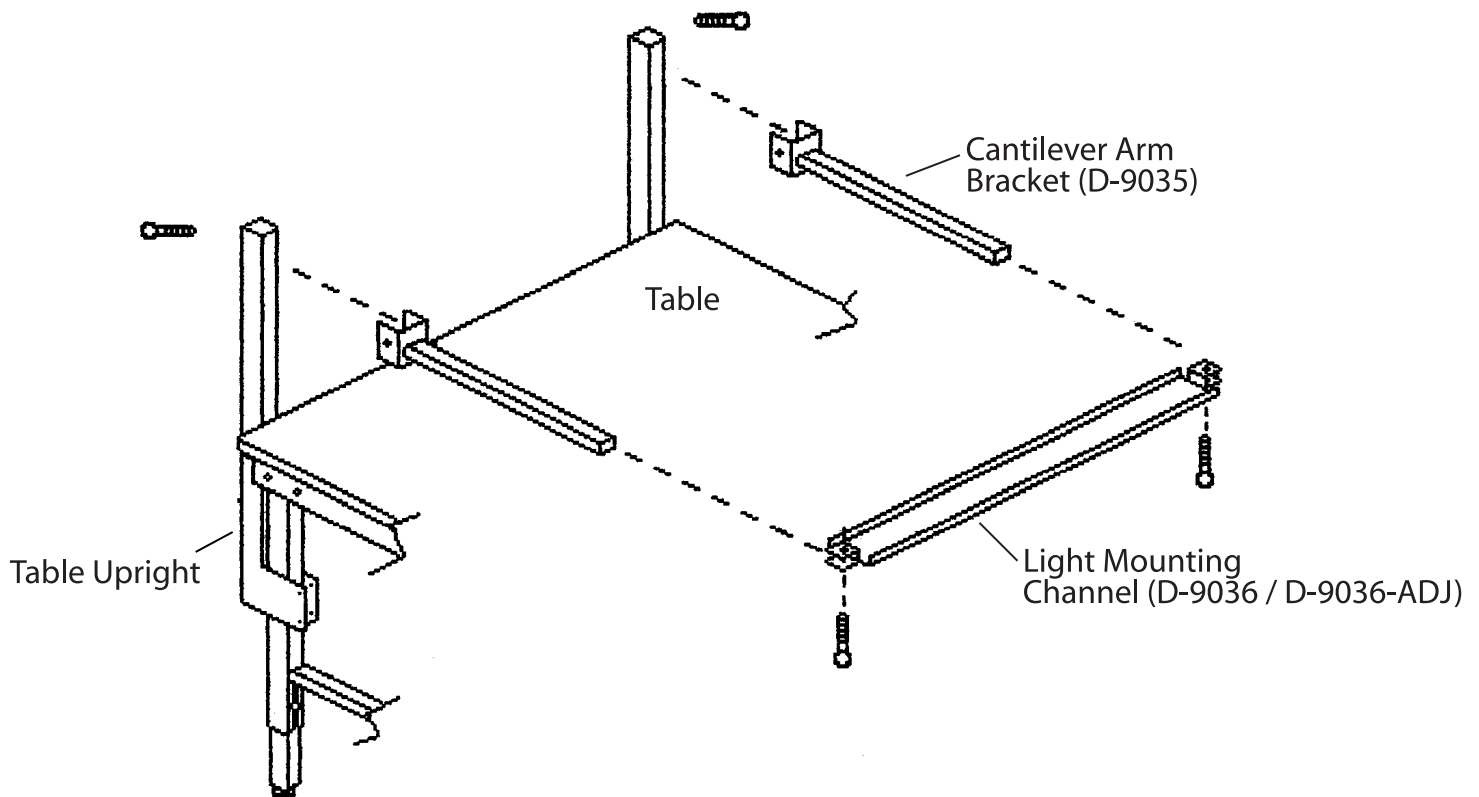
- 2 - 1/4-20 Kep Nut
- 2 - 1-4-20 Wing Nut
- 2 - 5/16-18 x 2-1/4 Hex Head Cap Screw

Cantilever Arm Bracket Assembly:

1. Assemble Cantilever Arm Brackets to up-rights with 5/16-18 x 2-1/4 Hex Head Cap Screws.

Light Mounting Channel Assembly:

1. Slide light mounting channel on to Cantilever Arm Brackets.
2. Fasten with 5/16-18 x 2-1/4 Hex Head Cap Screws.



Do not discard packaging material until all contents are located