

Heavy-Duty Modular Furniture

Tote Bin Rail Assembly

(D-9037)

Box Contents:

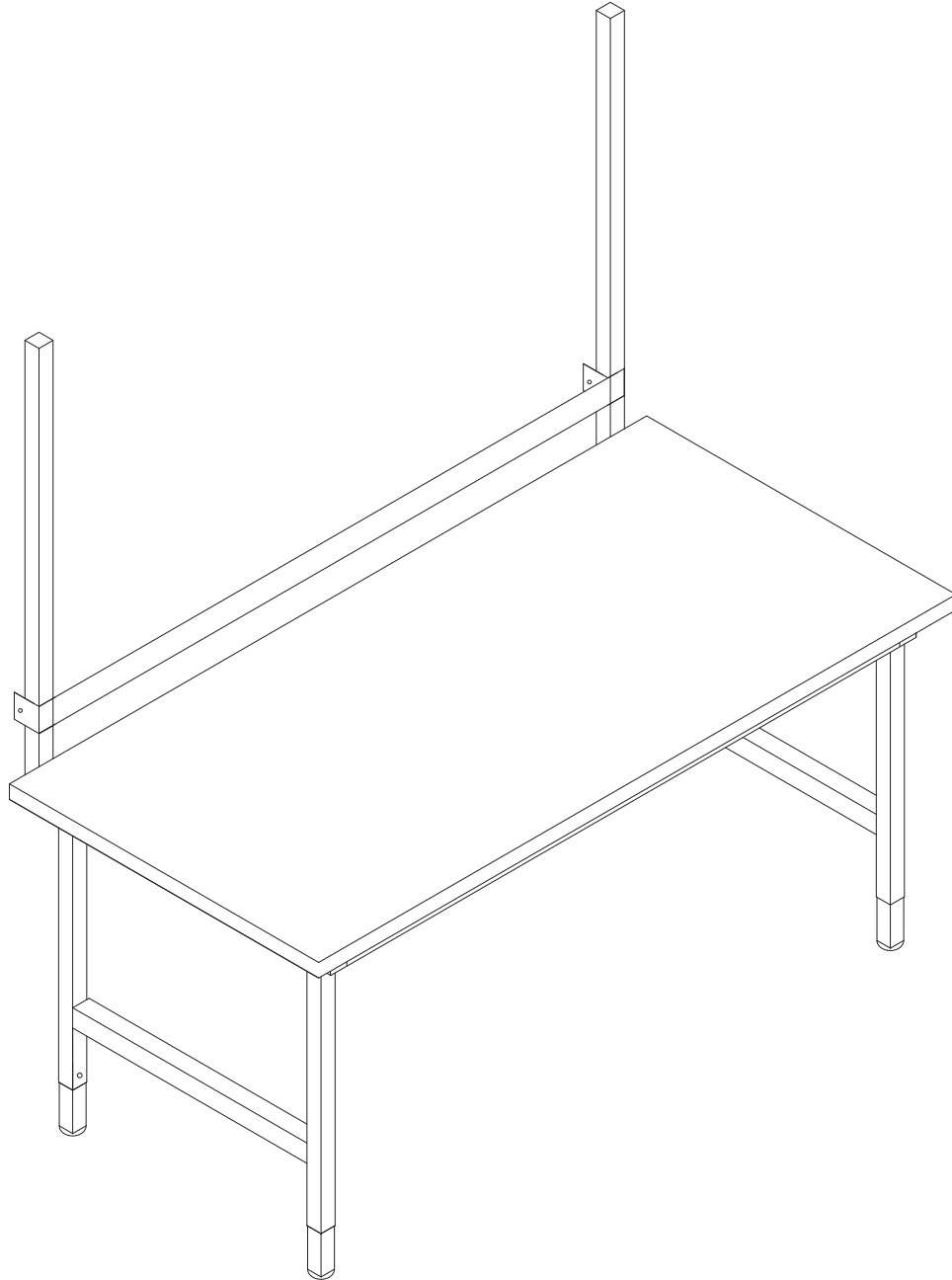
1 - Rail with welded brackets

Tote Bin Rail Assembly:

1. Bolt Rail to Uprights at desired height

Hardware:

2 - 5/16-18 x 2-1/4 Hex Head Cap Screw



Do not discard packaging material until all contents are located