

Heavy-Duty Modular Furniture

Support Bracket Assembly

(D-9049)

Box Contents:

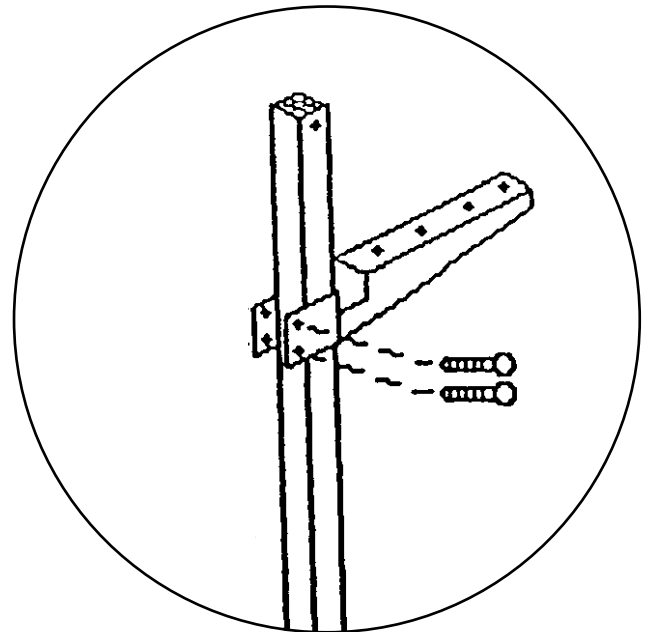
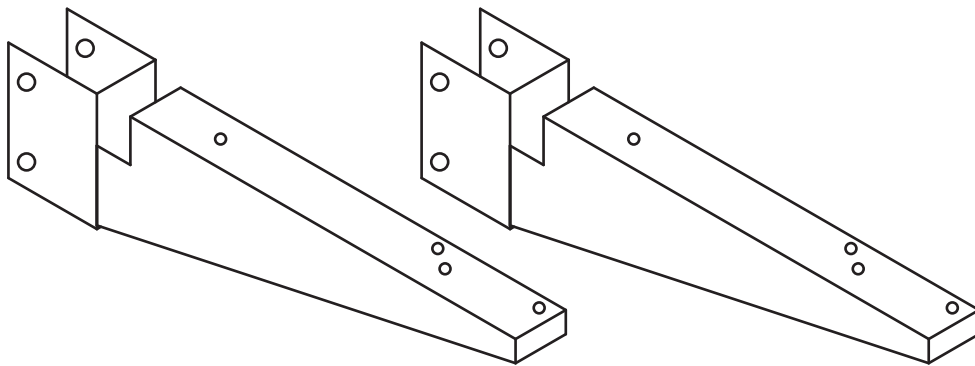
2 - Brackets 1-3/4 x 17 x 5

Hardware

4 - 5/16 -18 x 2-1/4 Hex Head Cap Screw

Support Bracket Assembly:

1 . Bolt Brackets to Upright at desired height on both the left and right sides.



Do not discard packaging material until all contents are located