

# Heavy-Duty Modular Furniture

## Multi-Tier Carton Rack

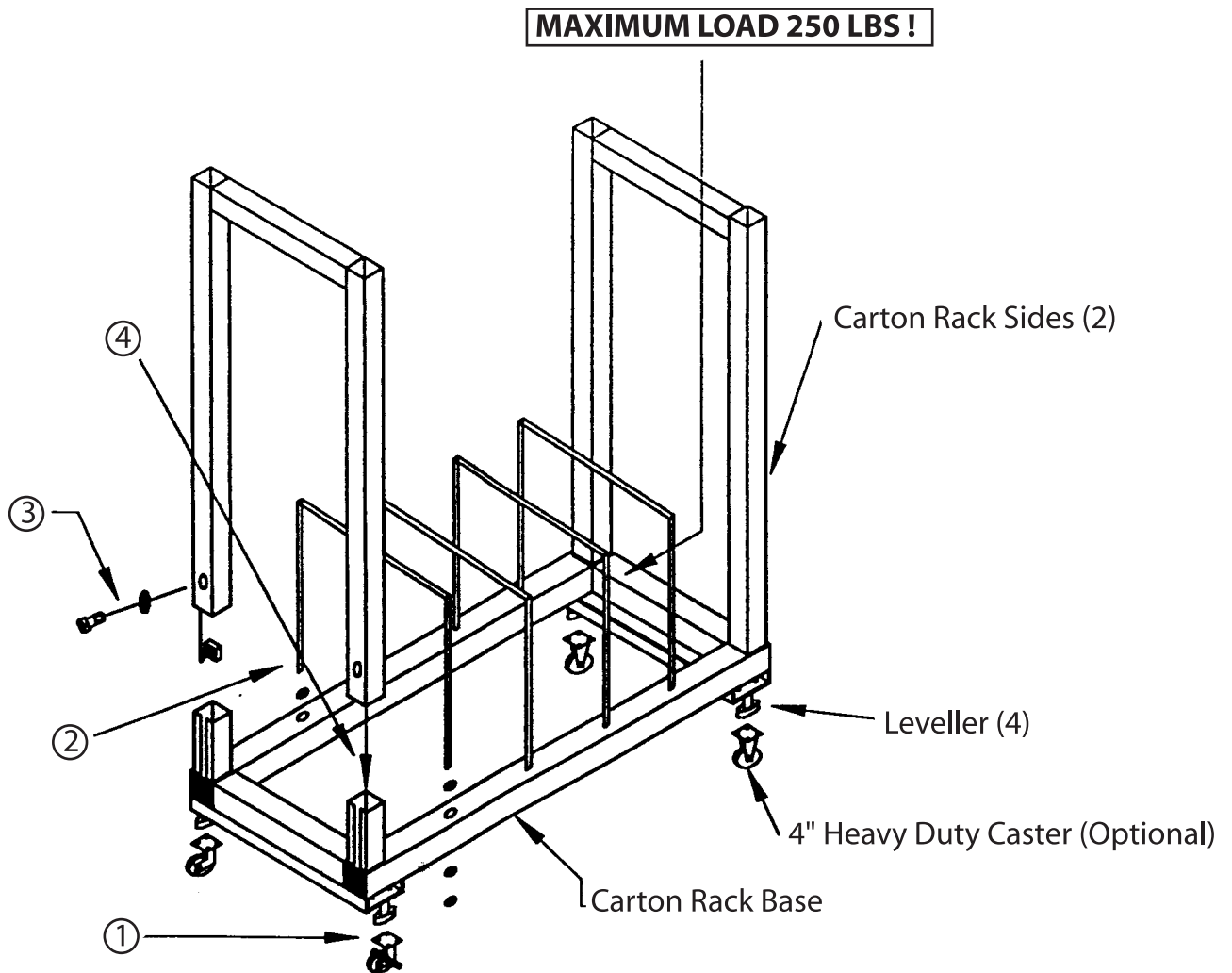
(D-9062N)

### Component Parts:

- 1 - Carton Rack Base
- 2 - Carton Rack Sides
- 4 - Wire Divider
- 8 - 1/2-13 Hex Nut
- 16 - 7/16" Flat Washer
- 4 - 3/8-16 Hex Nut

### Multi-Tier Carton Rack Assembly:

1. Install levellers or casters to base.
2. Install dividers to base: 1/2"-13 Hex Nut (8), 1/2" Flat Washers (16).
3. Install hardware set to carton side: 3/8"-16 Hex Bolt (4), 3/8" Flat Washer (4), 3/8"-16 Square Nut (4).
4. Place carton sides down to base extension and tighten all screws.



\*Do not discard packaging material until all contents are located\*