

Heavy-Duty Modular Furniture

Carton Rack Shelf

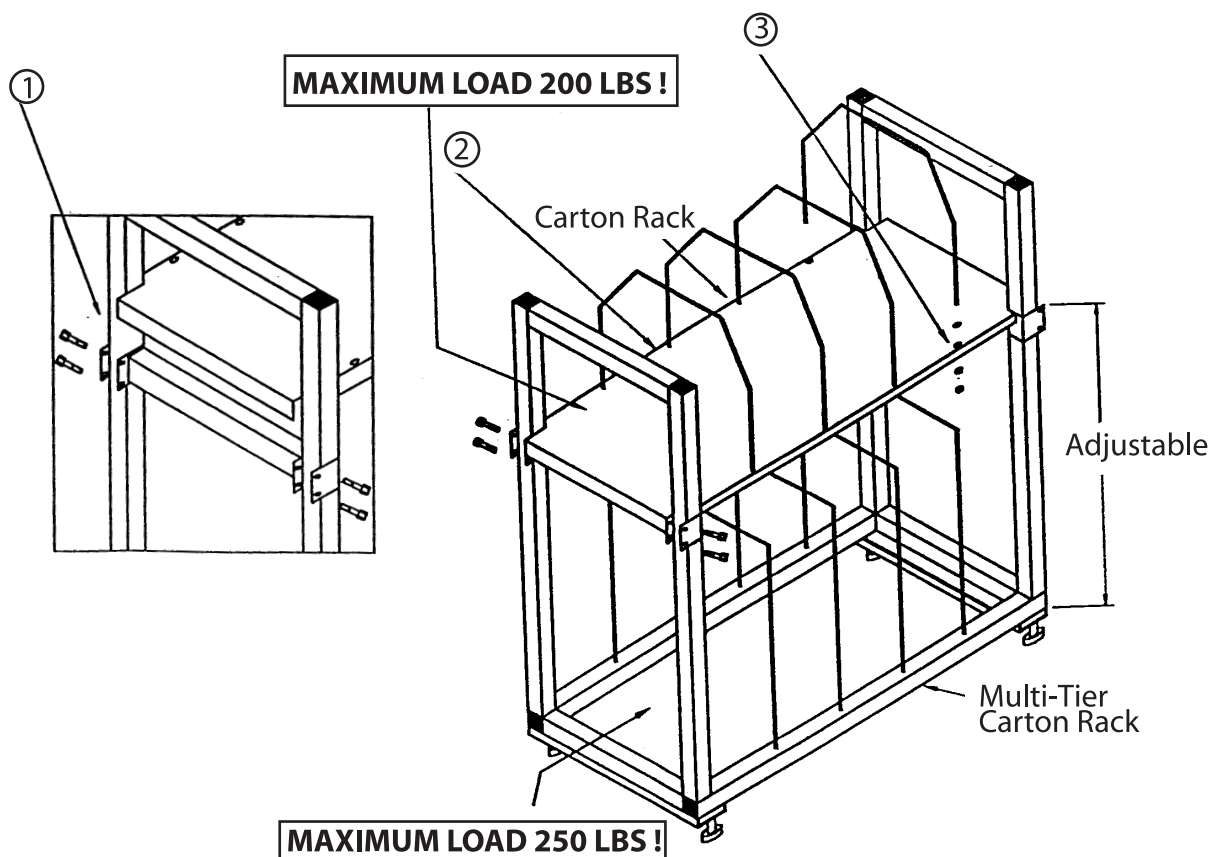
(D-9063N)

Component Parts:

- 1 - Adjustable Carton Rack Shelf
- 2 - Shelf Support Brackets
- 4 - Wire Dividers
- 8 - 5/16-18 x 2-1/4 Hex Head Cap Screw
- 16 - 5/16 Flat Washer
- 8 - 3/8-16 Hex Nut

Carton Rack Assembly:

1. Install shelf support brackets to the sides of the Multi-Tier Carton Rack. *5/16"-18 x 2 1/4 Hex Cap Screw (8), 5/16"-18 Hex Kepnut (8)*
2. Install Carton Rack shelf over the bracket
3. Install dividers to shelf of Carton Rack. *3/8"-16 Hex Nut (8), Flat Washers (16)*



Do not discard packaging material until all contents are located