

Heavy-Duty Modular Furniture

Scanner Tray Assembly

(D-9082)

Box Contents:

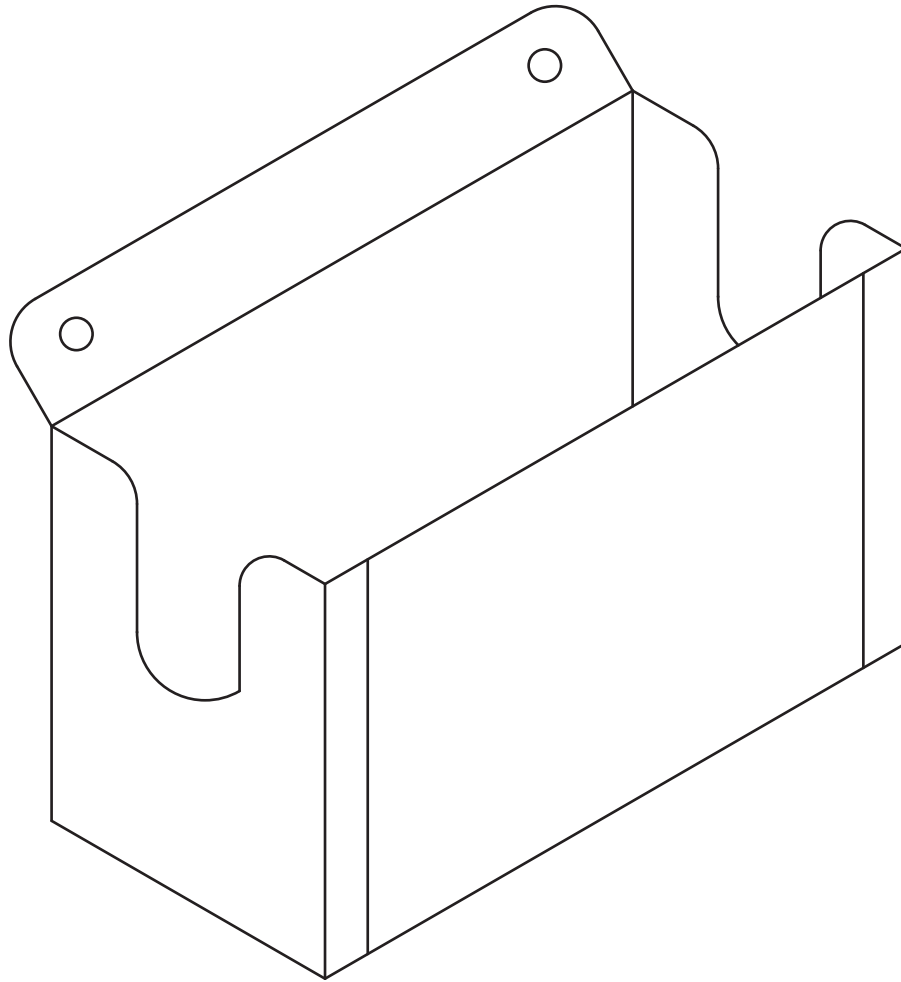
1 - Scanner Tray

Scanner Tray Assembly:

Bolt to Table or CRT Unit.

Hardware:

2 - #10 x 3/4 Truss HEad Tapping Screw



Do not discard packaging material until all contents are located