

Heavy-Duty Modular Furniture

Tool Balancer Assembly

(D-9084)

Box Contents:

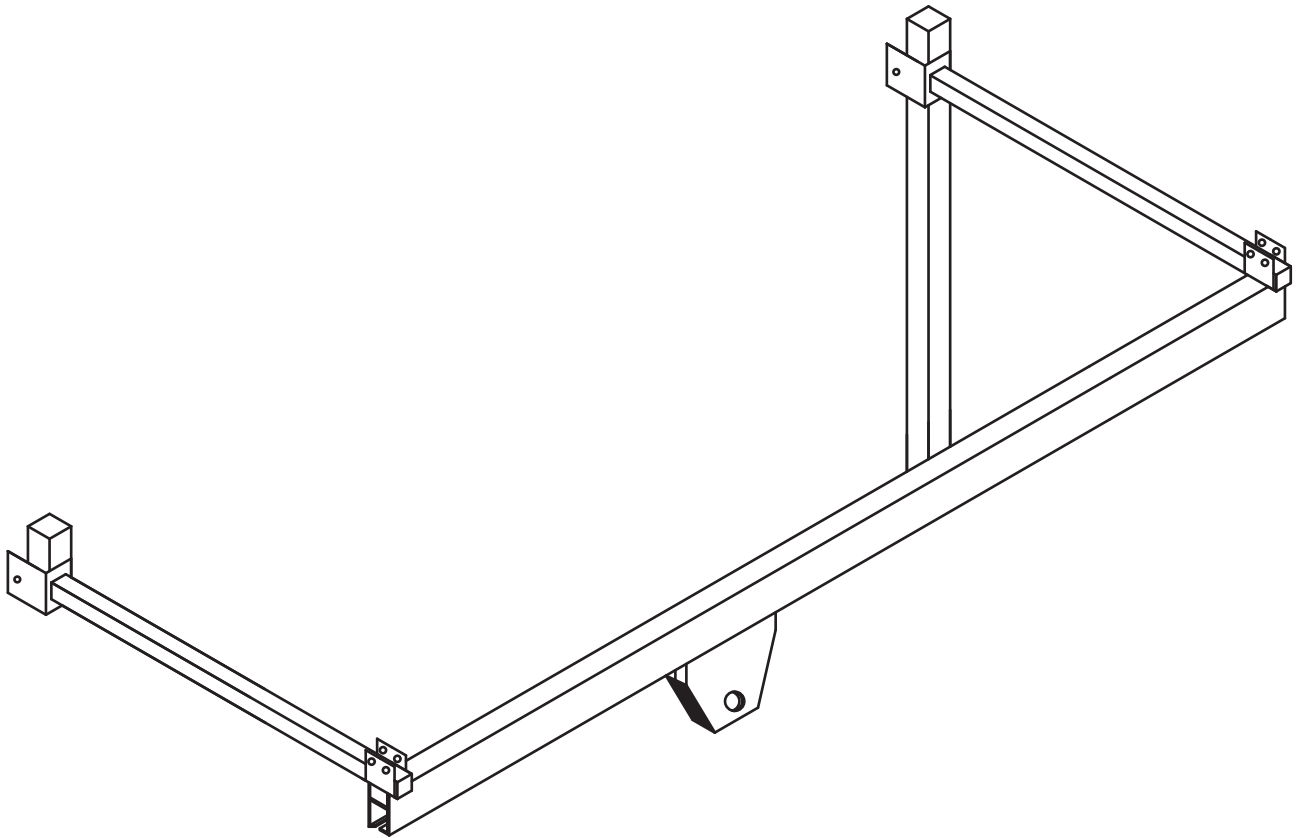
1 - Tool Balancer with welded brackets (Fully Assembled)

Hardware:

2 - 5/16-18 - 2-1/4 Hex Head Cap Screw

Tool Balancer Assembly:

Mount to D-9035 Cantilever Arms



Do not discard packaging material until all contents are located