

# Heavy-Duty Modular Furniture

## Flat Screen Mount with Swivel Bracket Assembly

(D-9085)

### Box Contents:

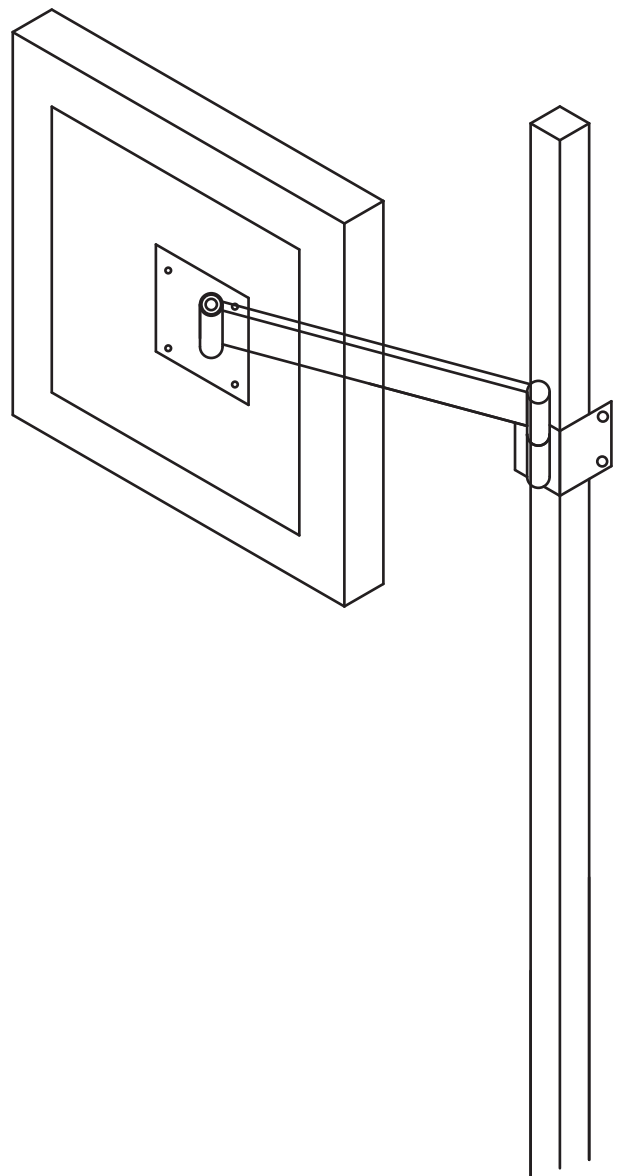
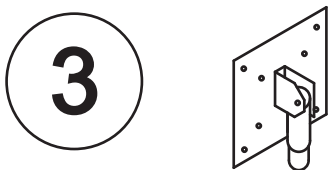
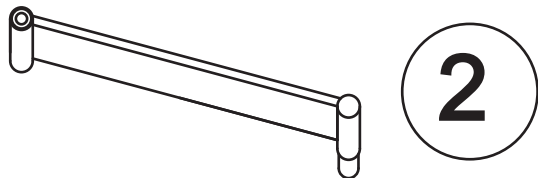
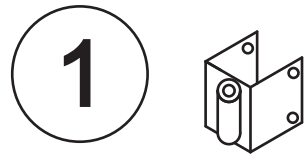
- 1 - Mounting Plate with Swivel Pin (3)
- 1 - Mounting Bracket (1)
- 1 - Swivel Arm (2)

### Hardware:

- 2 - 5/16-18 x 2-1/4 Hex Head Cap Screw

### Flat Screen Mount with Swivel Bracket Assembly:

1. Bolt Mounting Bracket to Upright
2. Put Swivel arm into bracket hole
3. Put Mounting PLate with Swivel Pin into Arm hole.



\*Do not discard packaging material until all contents are located\*