

Heavy-Duty Modular Furniture

Keyboard Holder with Mouse Pad and Swivel Pin Assembly

(D-9086)

Box Contents:

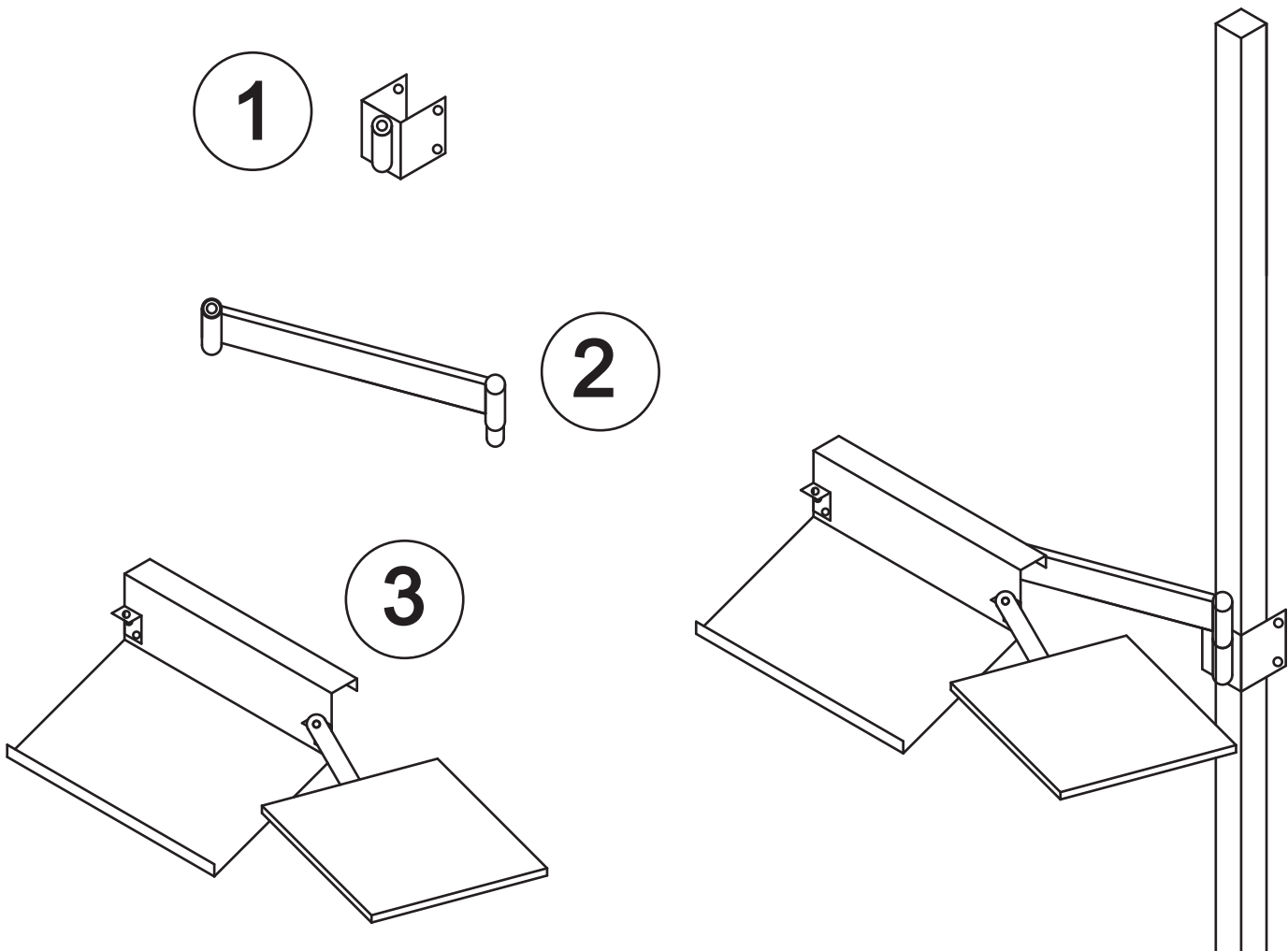
- 1 - Keyboard Tray (3)
- 1 - Mouse Tray (3)
- 1 - Mounting Bracket (1)
- 1 - Swivel Arm (2)

Hardware:

- 2 - 5/16-18 x 2-1/4 Hex Head Cap Screw
- 1 - 1/4-20 x 3/4 Self Clinching Stud

Keyboard Holder with Mouse Pad and Swivel Pin Assembly:

1. Bolt Mounting Bracket to upright
2. Put Swivel Arm into the mounting hole in bracket
3. Put Keyboard tray into mounting hole in Swivel Arm



Do not discard packaging material until all contents are located