

# Heavy-Duty Modular Furniture

## Keyboard Holder with Mouse Pad and Swivel Pin Assembly

(D-9086A)

### Box Contents:

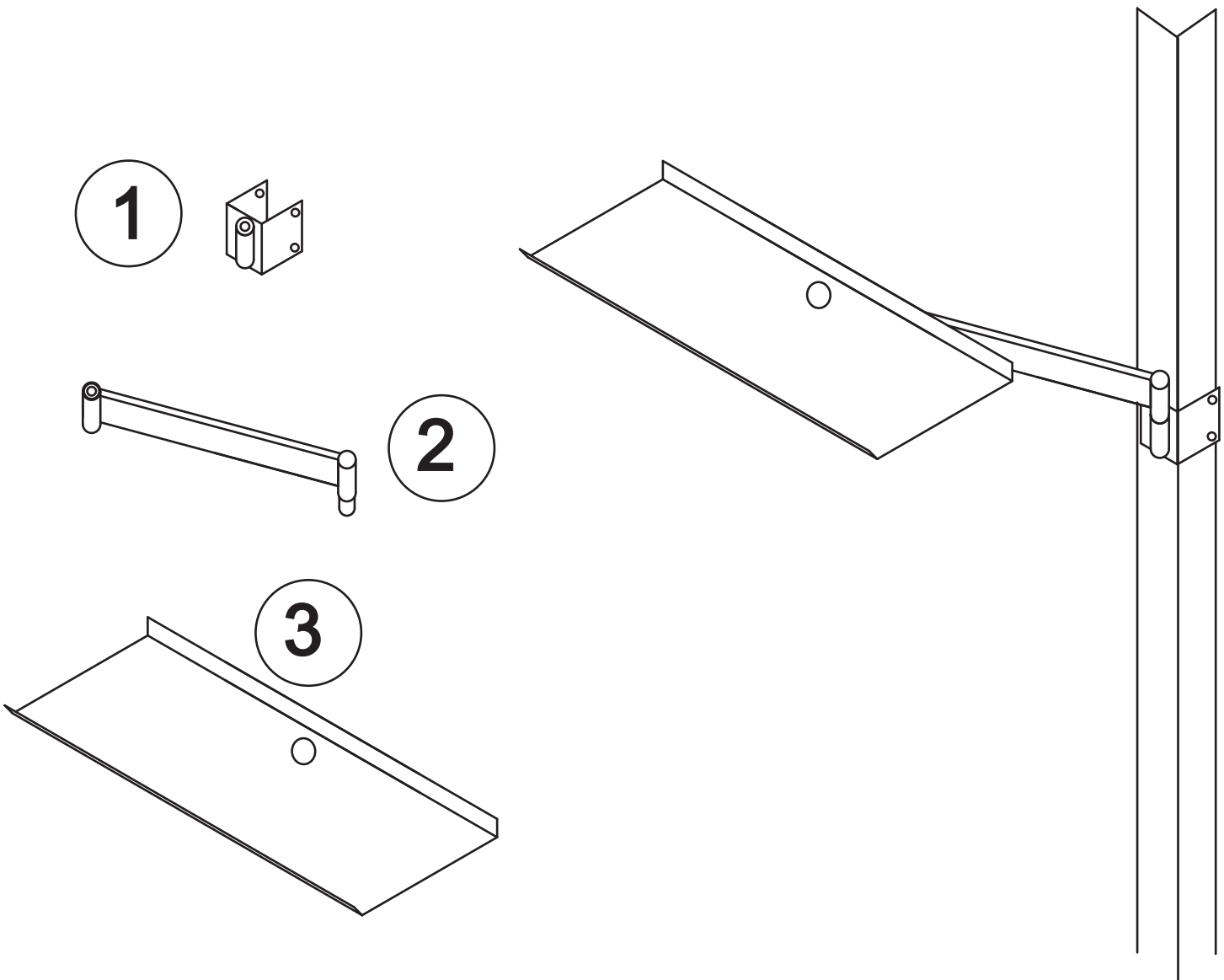
- 1 - Keyboard Tray (3)
- 1 - Mounting Bracket (1)
- 1 - Swivel Arm (2)

### Hardware:

- 2 - 5/16-18 x 2-1/4 Hex Head Cap Screw
- 1 - 1/4-20 x 3/4 Self Clinching Stud

### Keyboard Holder with Mouse Pad and Swivel Pin Assembly:

1. Bolt Mounting Bracket to upright
2. Put Swivel Arm into the mounting hole in bracket
3. Put Keyboard tray into mounting hole in Swivel Arm



\*Do not discard packaging material until all contents are located\*