

Heavy-Duty Modular Furniture

Tape Machine Tray Assembly

(D-9091)

Box Contents:

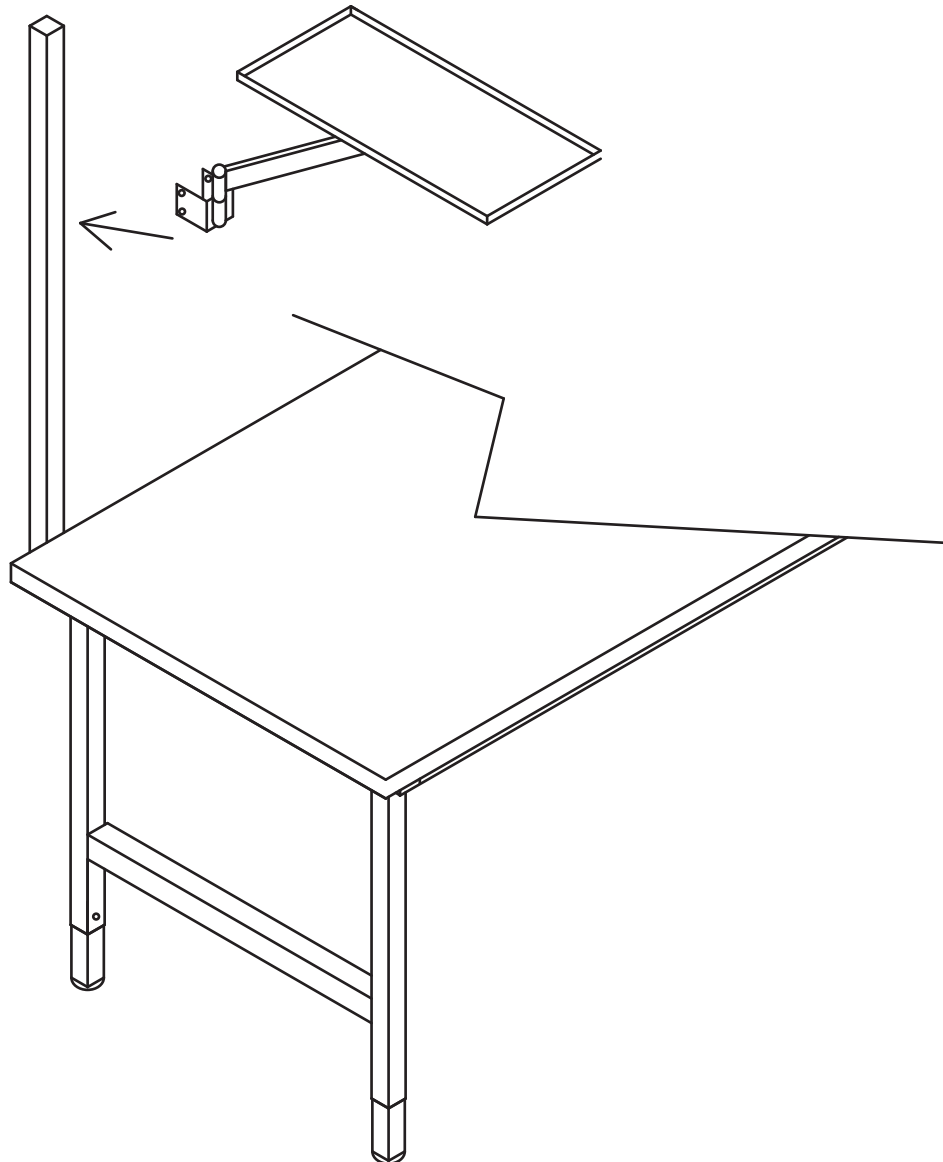
- 1 - Tray
- 1 - 17" Long Swivel Arm
- 1 - Mounting Bracket

Hardware:

- 1 - 3/8-16 x 1/2 Nylon Hex Bolt
- 2 - 5/16-18 x 2-1/4 Hex Head Cap Screw

Tape Machine Tray Assembly:

1. Bolt Mounting Bracket to Upright in desired location
2. Put arm into the hole in mounting bracket
3. Put bottom of tape machine into the hole in the Swivel arm



Do not discard packaging material until all contents are located