

Heavy-Duty Modular Furniture

Tackboard Assembly

(D-9093)

Box Contents:

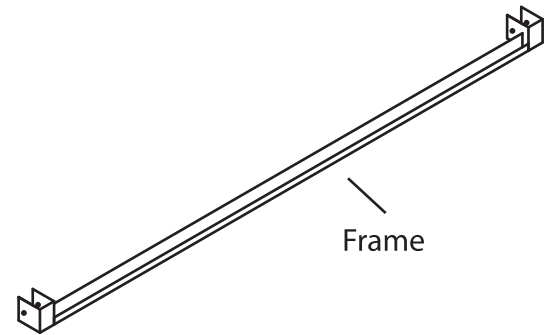
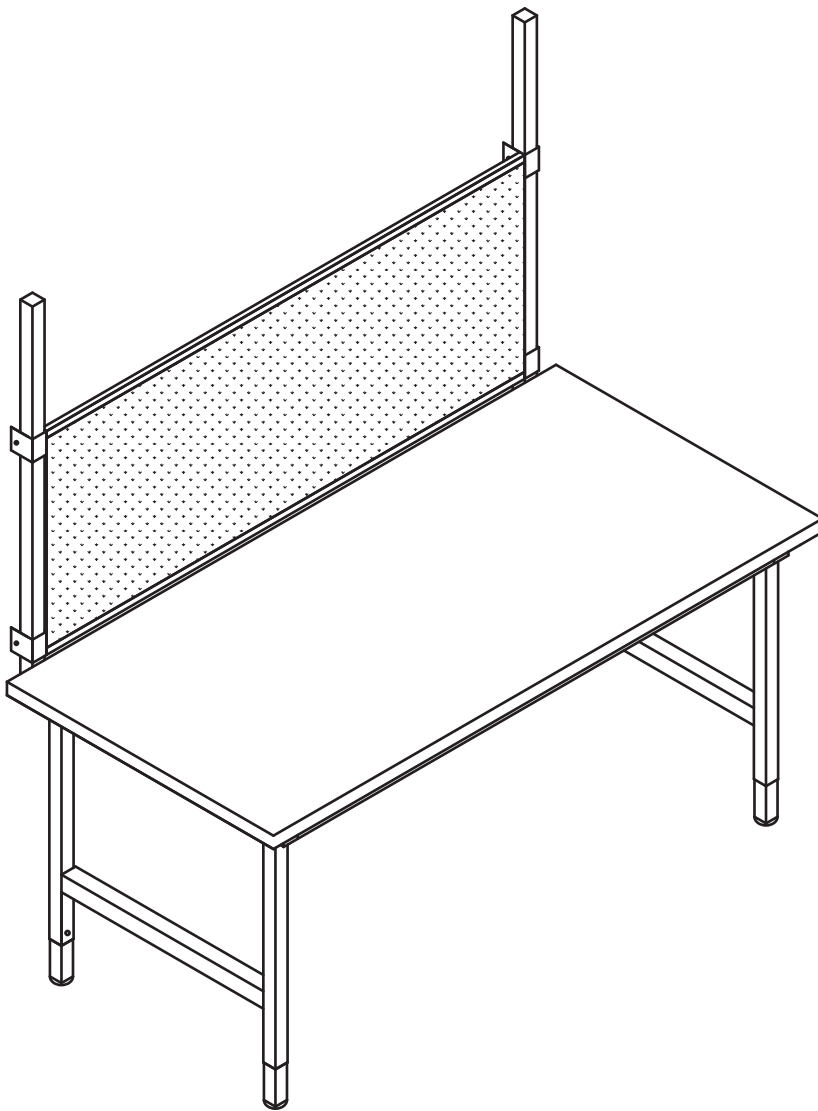
- 2 - Frames
- 1 - Fabric Tackboard (Grey)

Hardware:

- 4 - 5/16-18 x 2-1/4 Hex Head Cap Screw

Tackboard Assembly:

1. Bolt the bottom frame to the uprights
2. Slide the Tackboard into the groove of the frame
3. Slide the Top Frame onto the tackboard and bolt to the upright



Do not discard packaging material until all contents are located