

Heavy-Duty Modular Furniture

Slide Out Keyboard

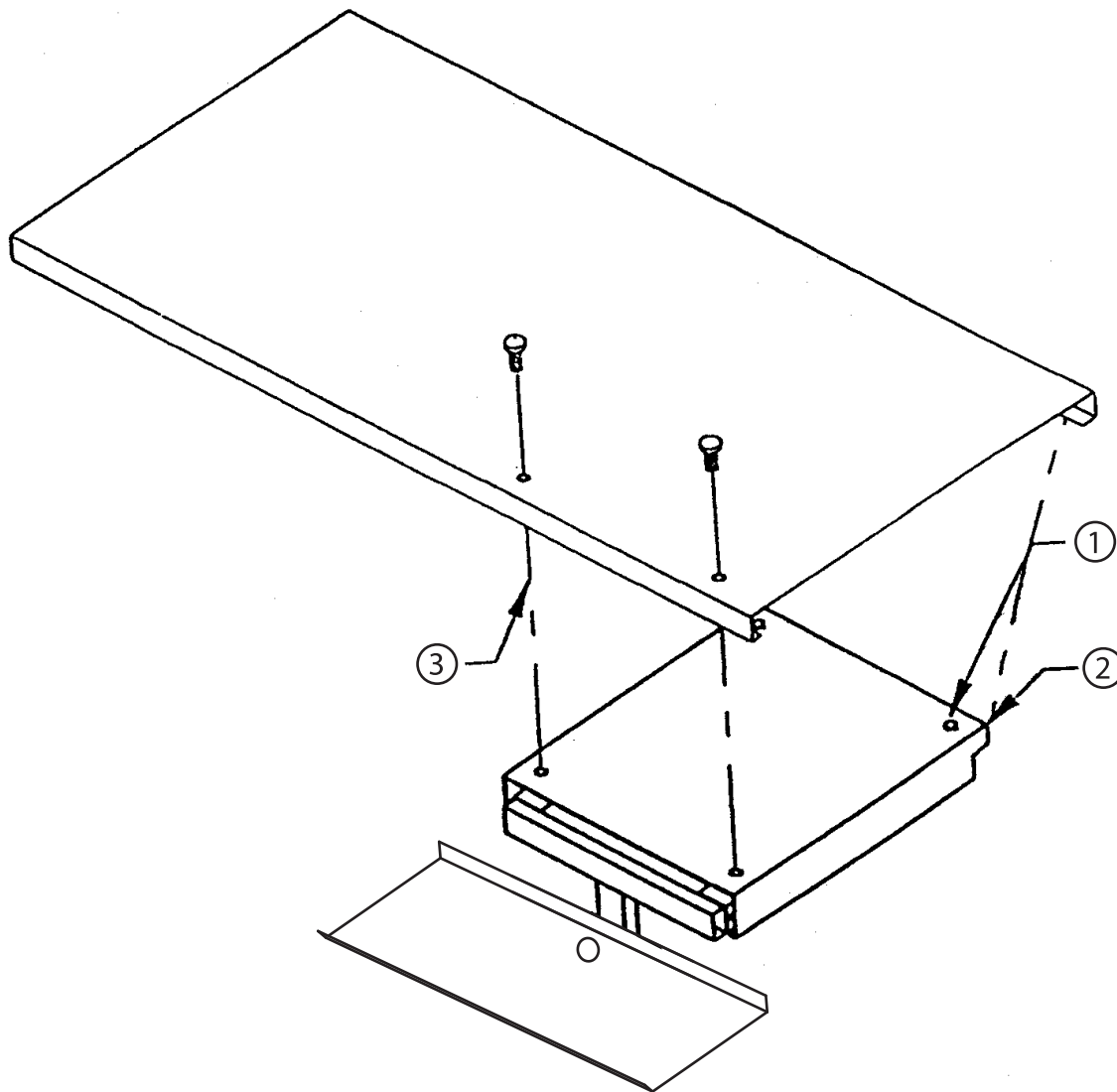
(D-9094A)

Component Parts:

- 1 - Keyboard Slide Out Unit Tray
- 2 - Rubber Bumpers
- 2 - 1/4" x 3/4" Screws
- 2 - 1/4" Nuts

Keyboard Slide Out Assembly:

1. Stick rubber bumper on the top of the tray.
2. Insert this end into the channel of the shelf.
3. Install this end using 1/4" x 3/4" screws and nuts



Do not discard packaging material until all contents are located