

Heavy-Duty Modular Furniture

Straight Upright Assembly

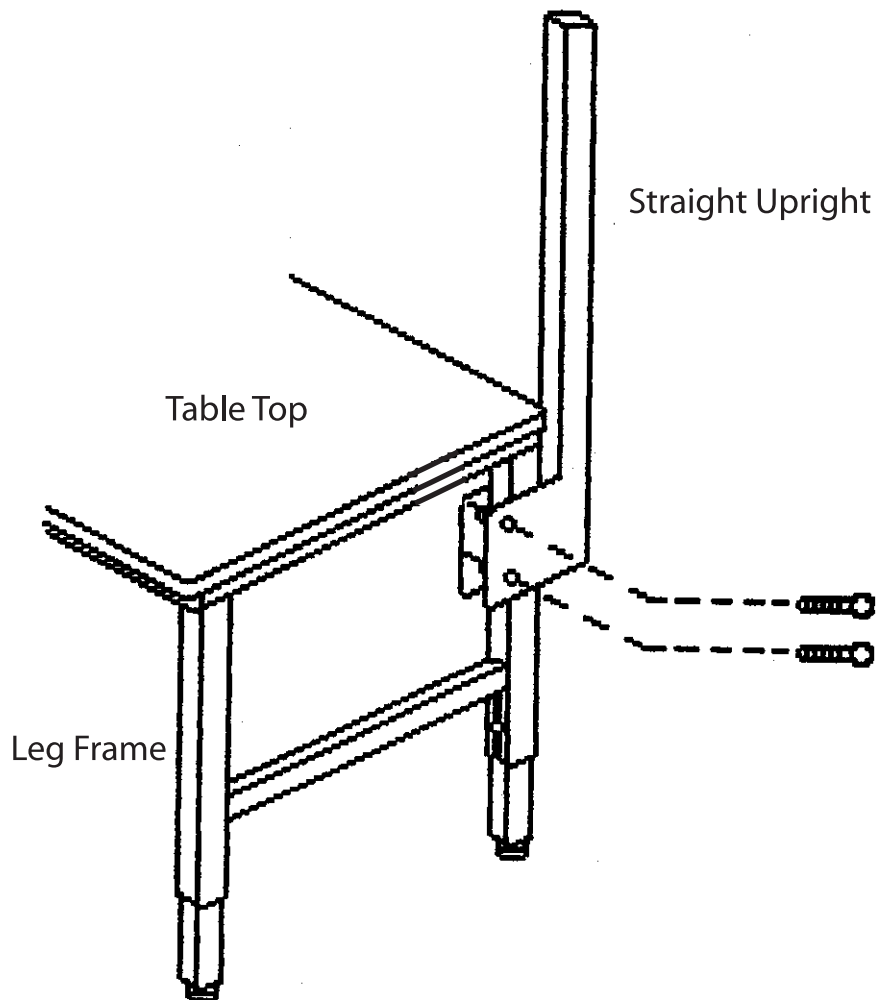
(D-9098)

Component Parts:

- 2 - Straight Uprights
- 4 - 5/16-18 x 2-1/4 Hex Head Cap Screw

Straight Upright Assembly:

1. Place welded bracket on leg frame, as shown.
2. Secure welded bracket with 2 screws and nuts.
3. Attach second upright same way.



Do not discard packaging material until all contents are located