

Heavy-Duty Modular Furniture

Table Support Brace Assembly

(D-9099)

Box Contents:

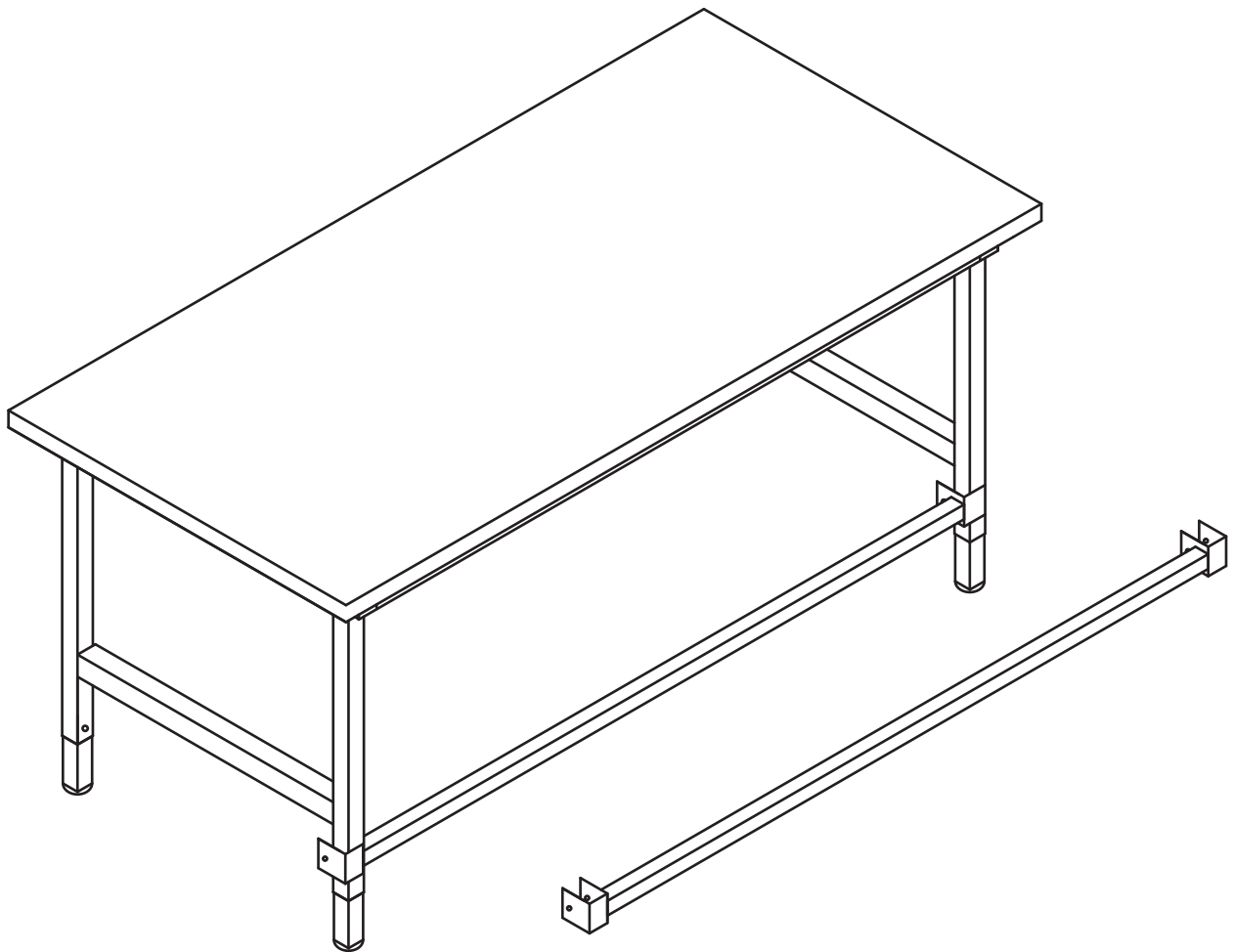
1- Table Brace with Welded brackets

Hardware:

2 - 5/16-18 x 2-1/4 Hex Head Cap Screw

Table Support Brace Assembly:

1. Bolt Table Brace to either the front or back of the legs in desired location



Do not discard packaging material until all contents are located