

# Heavy-Duty Modular Furniture

## Floor Mount Uprights

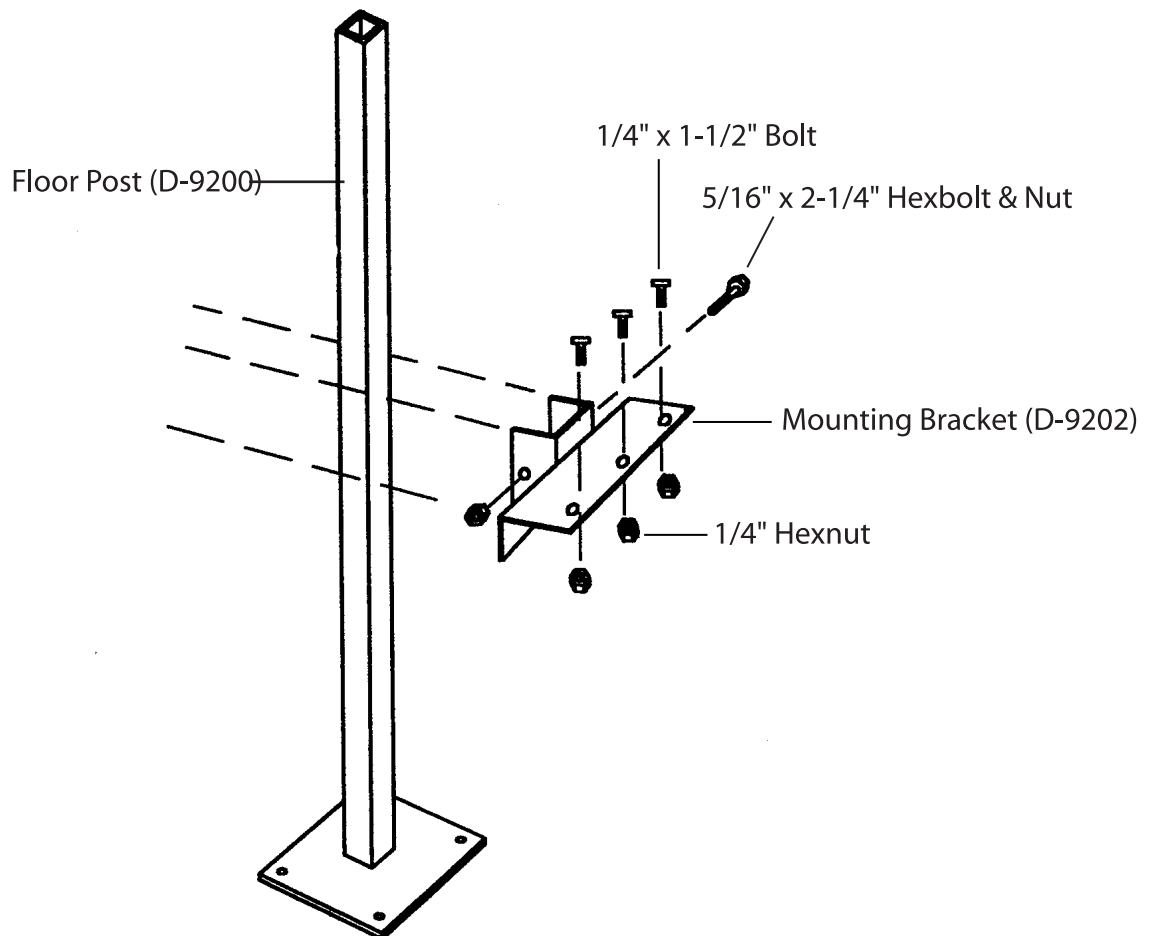
(D-9200, D-9202)

### Component Parts:

- 6 - 1/4" x 1-1/2" Bolts and Nuts
- 6 - 5/16" x 2-1/4" Hexbolt & Nuts
- 2 - D-9200 Floor Post
- 2 - D-9202 Mounting Brackets

### Floor Mount Upright Assembly:

1. Fasten post to floor with suitable 3/8" screws and floor anchors.
2. Assemble mounting bracket to post
3. Fasten mounting bracket to table by drilling through table top and using 1/4" x 1 1/2" bolts and nuts to secure bracket to top.



**\*Do not discard packaging material until all contents are located\***