

Heavy-Duty Modular Furniture

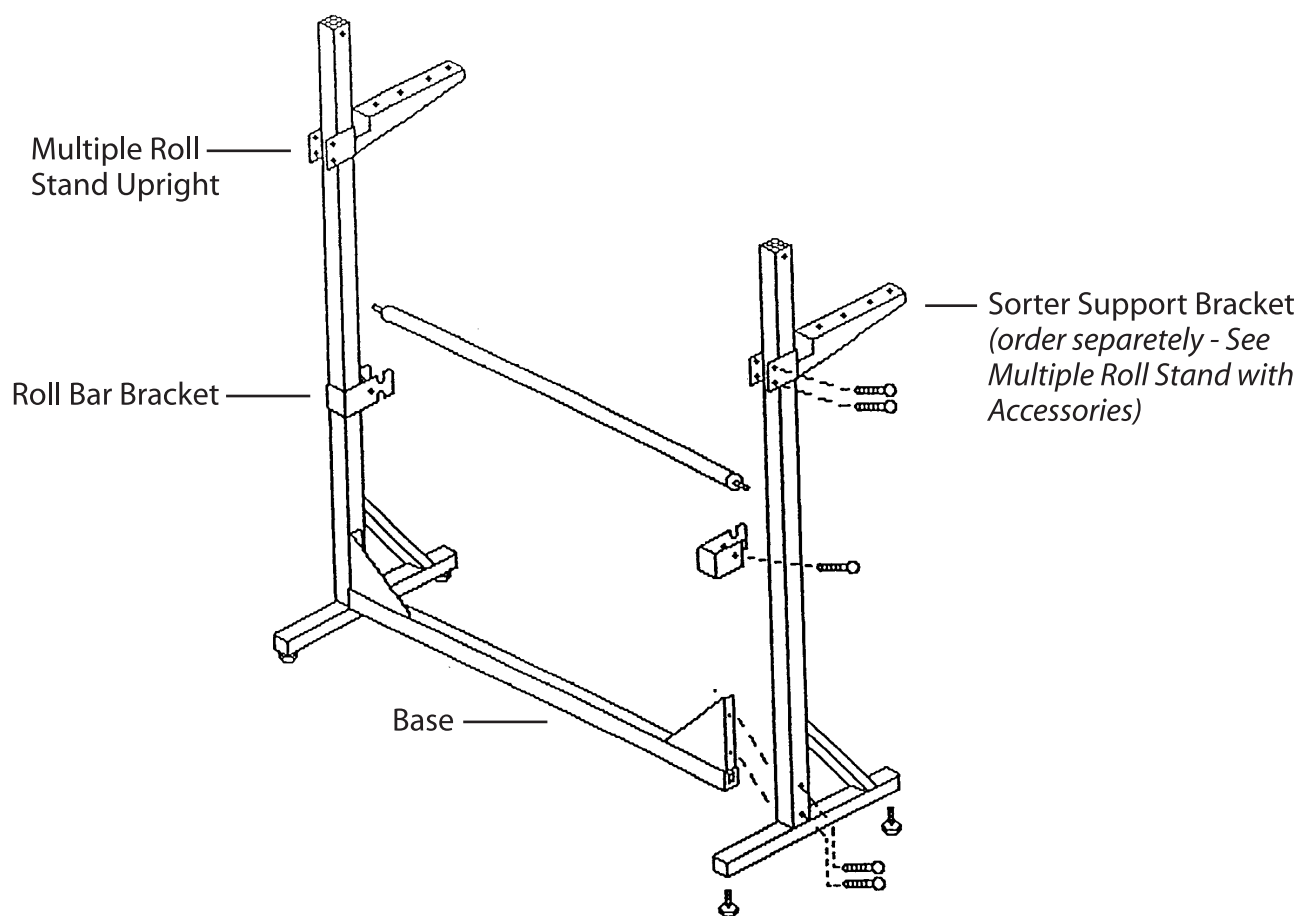
Multiple Roll Storage Stand

Component Parts:

- 2 - MRS Side Frames
- 1 - MRS Base
- 4 - 5/16-18 x 2-1/4 Hex Head Cap Screws

Multiple Roll Stand Assembly:

1. Fasten base to side frame with 5/16-18 x 2-1/4 Hex Head Cap Screws.



Do not discard packaging material until all contents are located