

Heavy-Duty Modular Furniture

Power Bar Holder Assembly

(PBHOLD-14)

Box Contents:

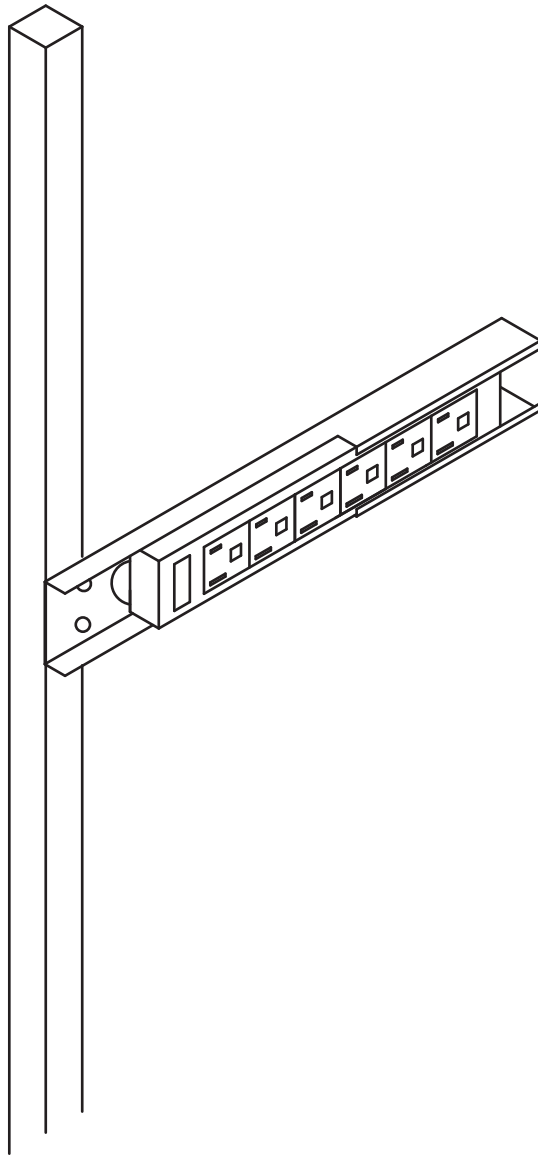
1 - Power Bar Holder

Power Bar Holder Assembly:

Mount to Upright at desired height

Hardware:

2 - 5/16-18 - 2/14 Hex Head Cap Screw



Do not discard packaging material until all contents are located