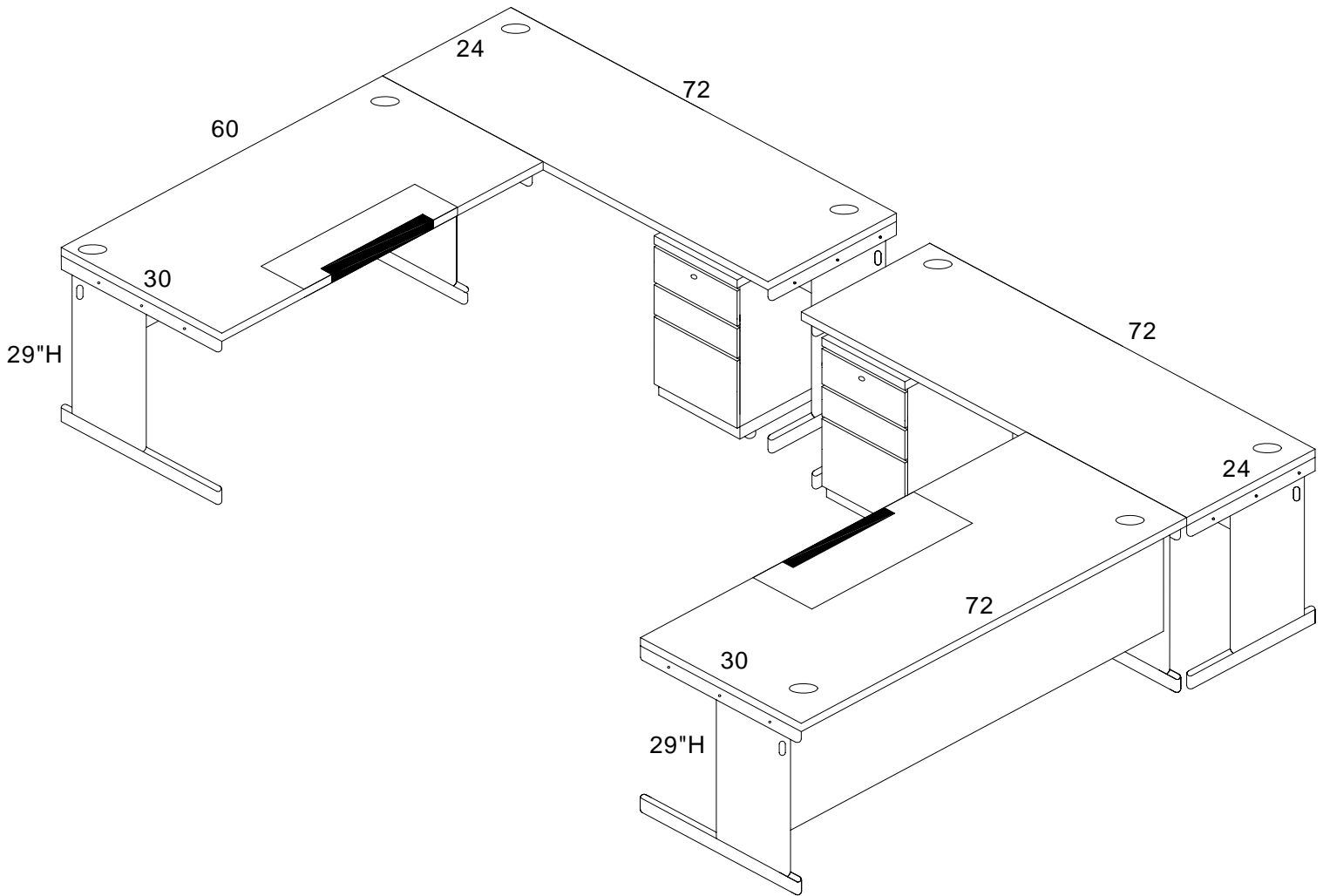


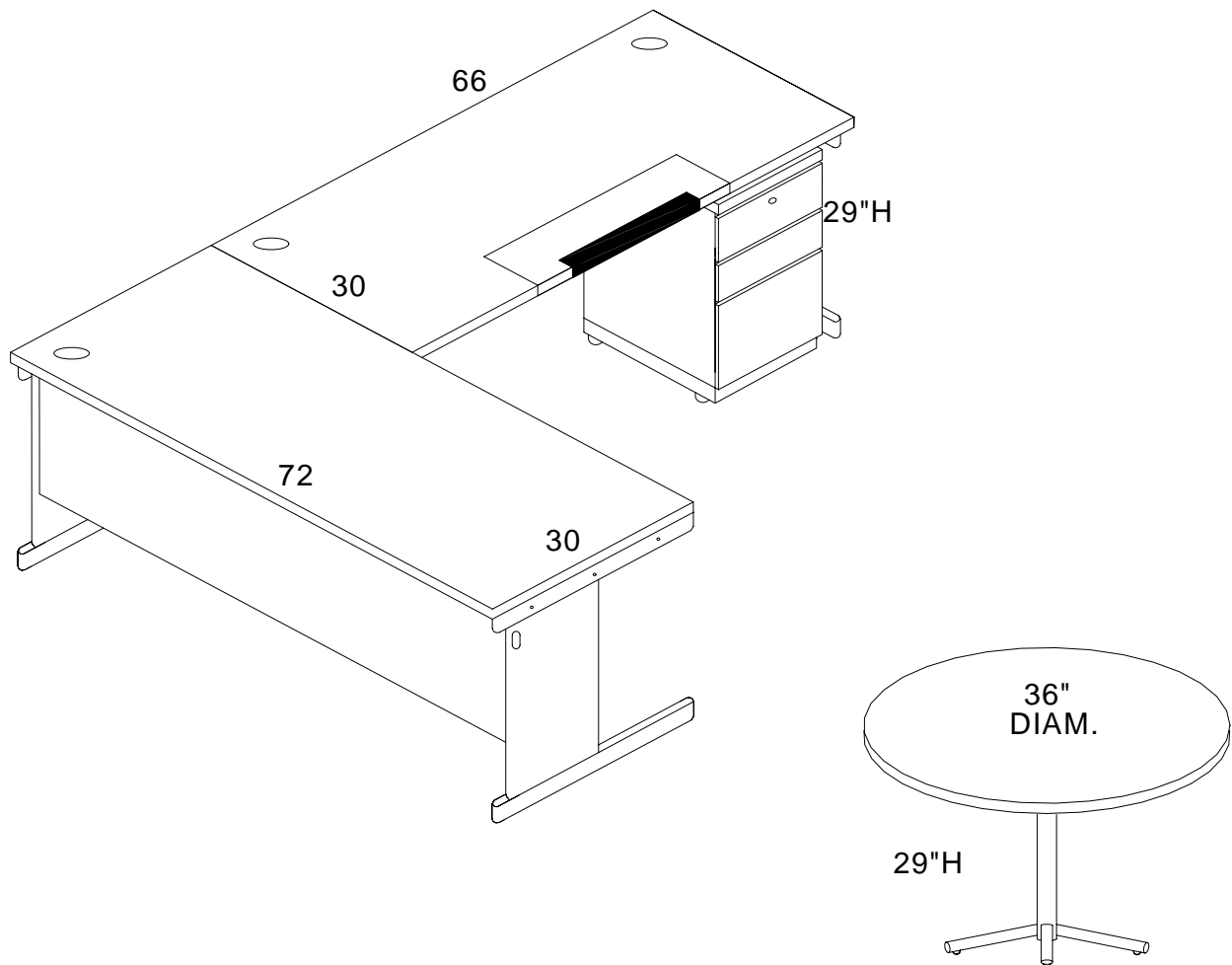
## L-SHAPE WORKSTATION – SAMPLE 1

Reference: 2012-03-011-R1



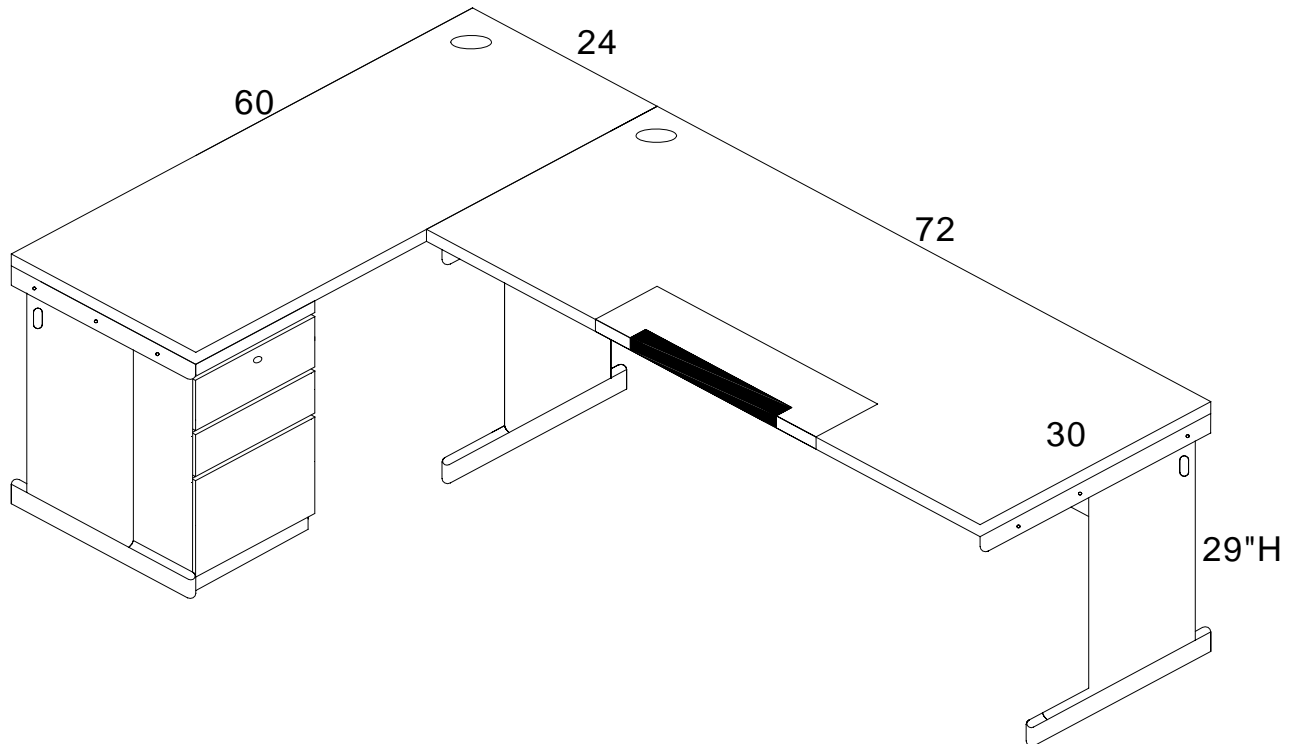
## L-SHAPE WORKSTATION – SAMPLE 2

Reference: 2012-02-009-R3



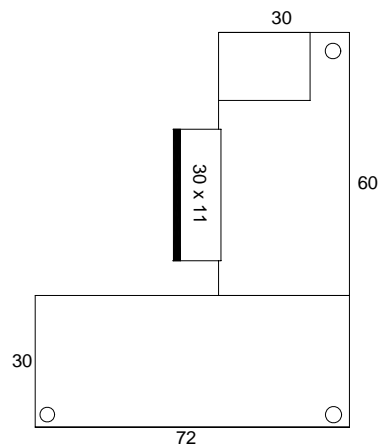
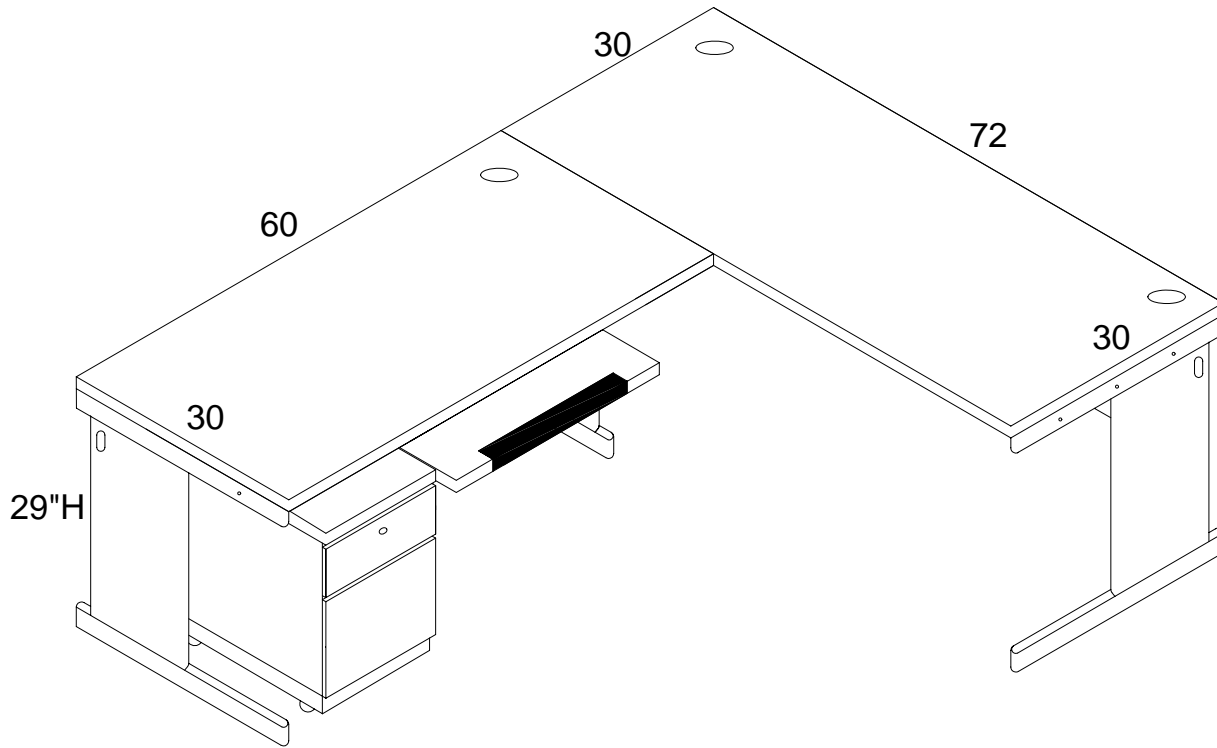
## L-SHAPE WORKSTATION – SAMPLE 3

Reference: 2011-11-016



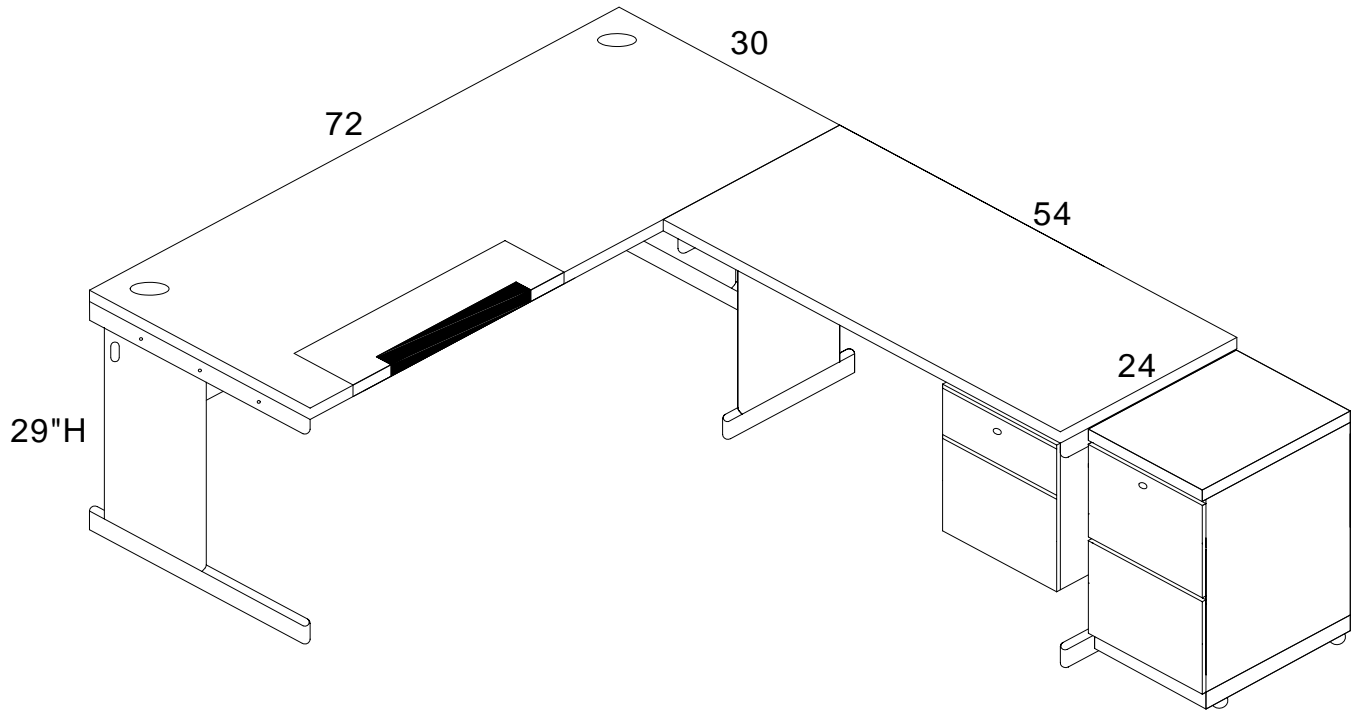
## L-SHAPE WORKSTATION – SAMPLE 4

Reference: 2011-11-006-R2



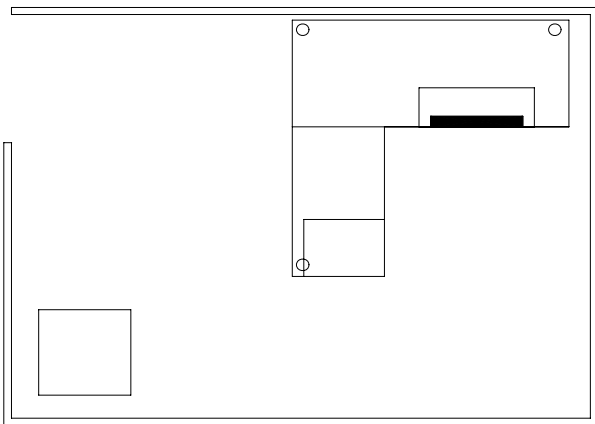
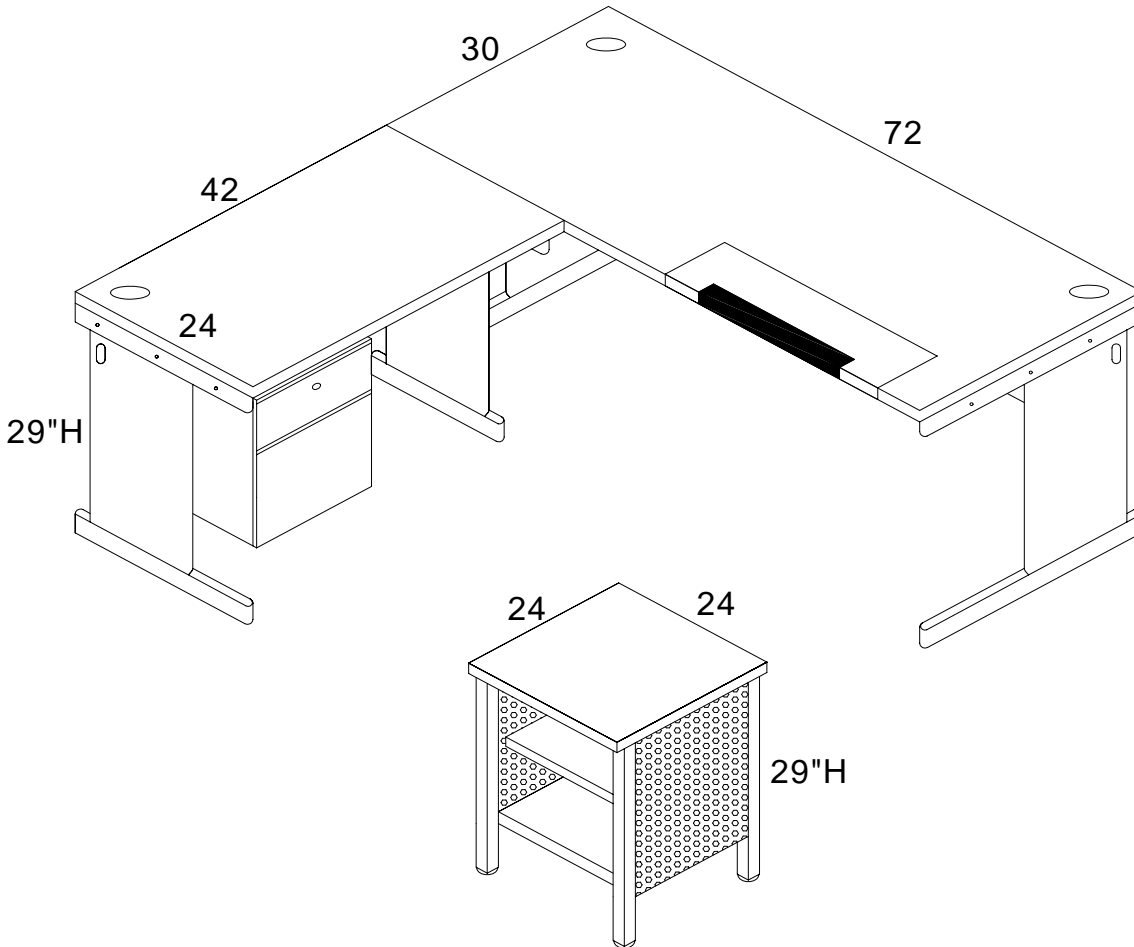
## L-SHAPE WORKSTATION – SAMPLE 5

Reference: 2011-09-012-R1



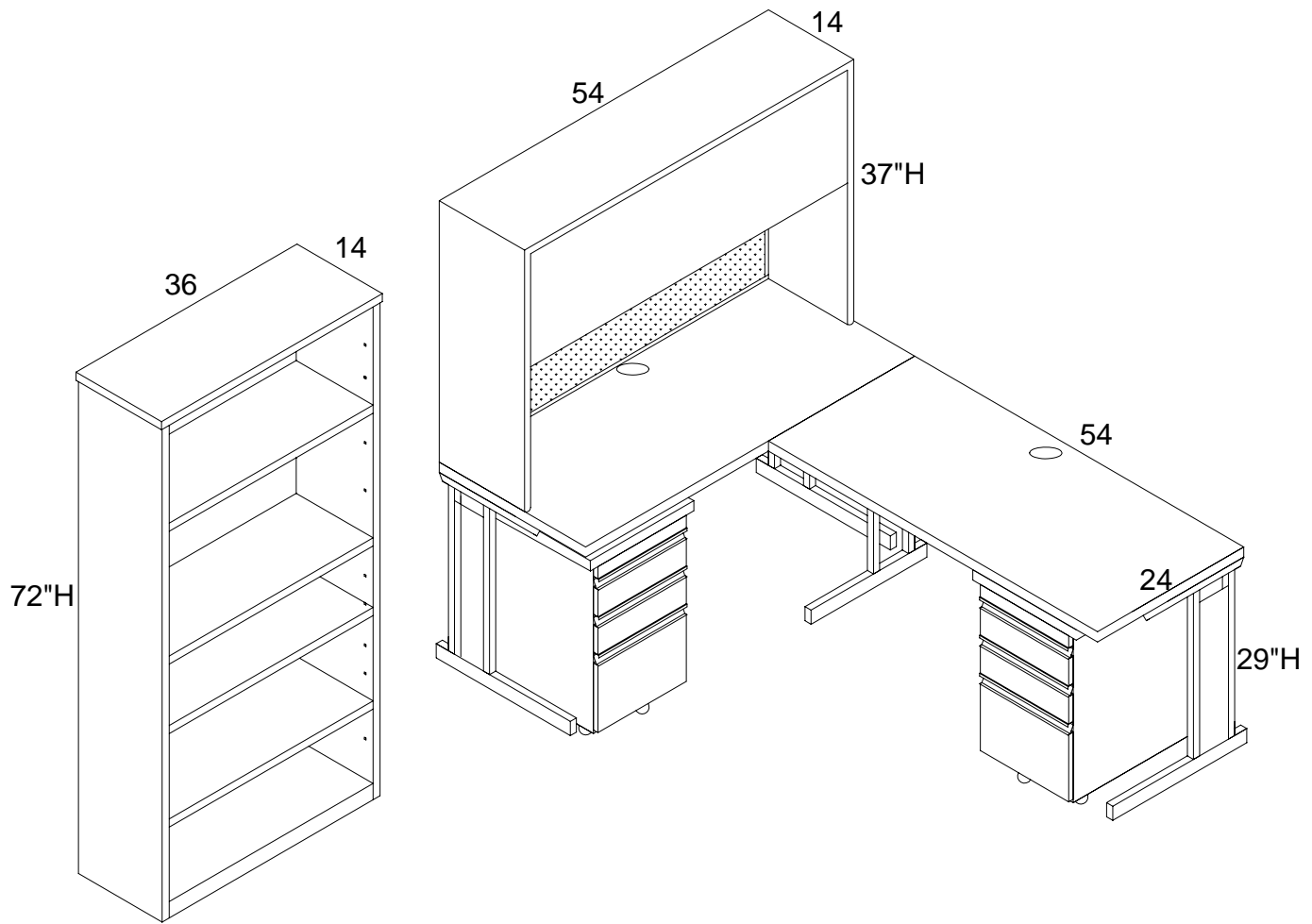
## L-SHAPE WORKSTATION – SAMPLE 6

Reference: 2011-09-005



## L-SHAPE WORKSTATION – SAMPLE 7

Reference: 120712-18



## L-SHAPE WORKSTATION – SAMPLE 8

Reference: 120615-35-R3

