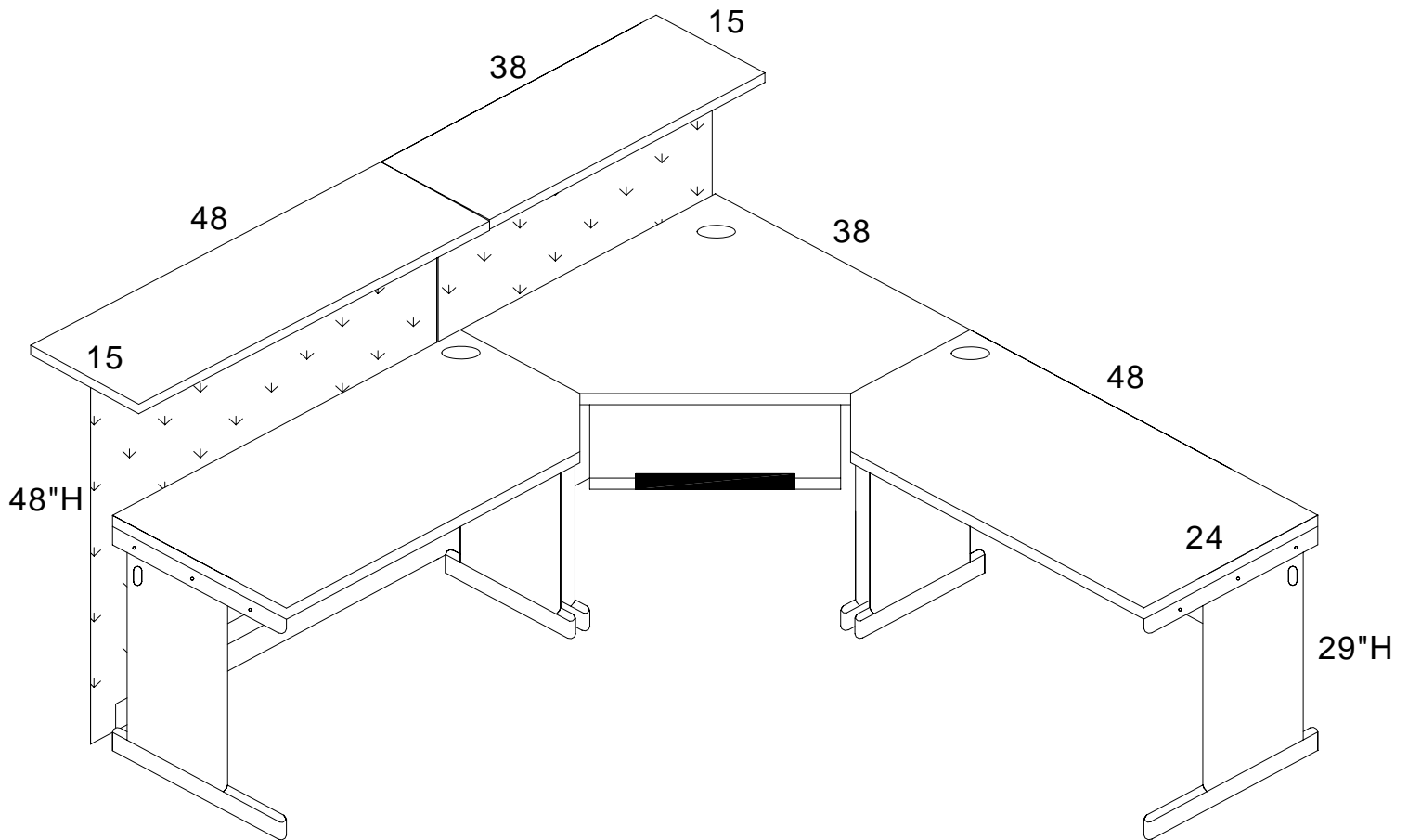


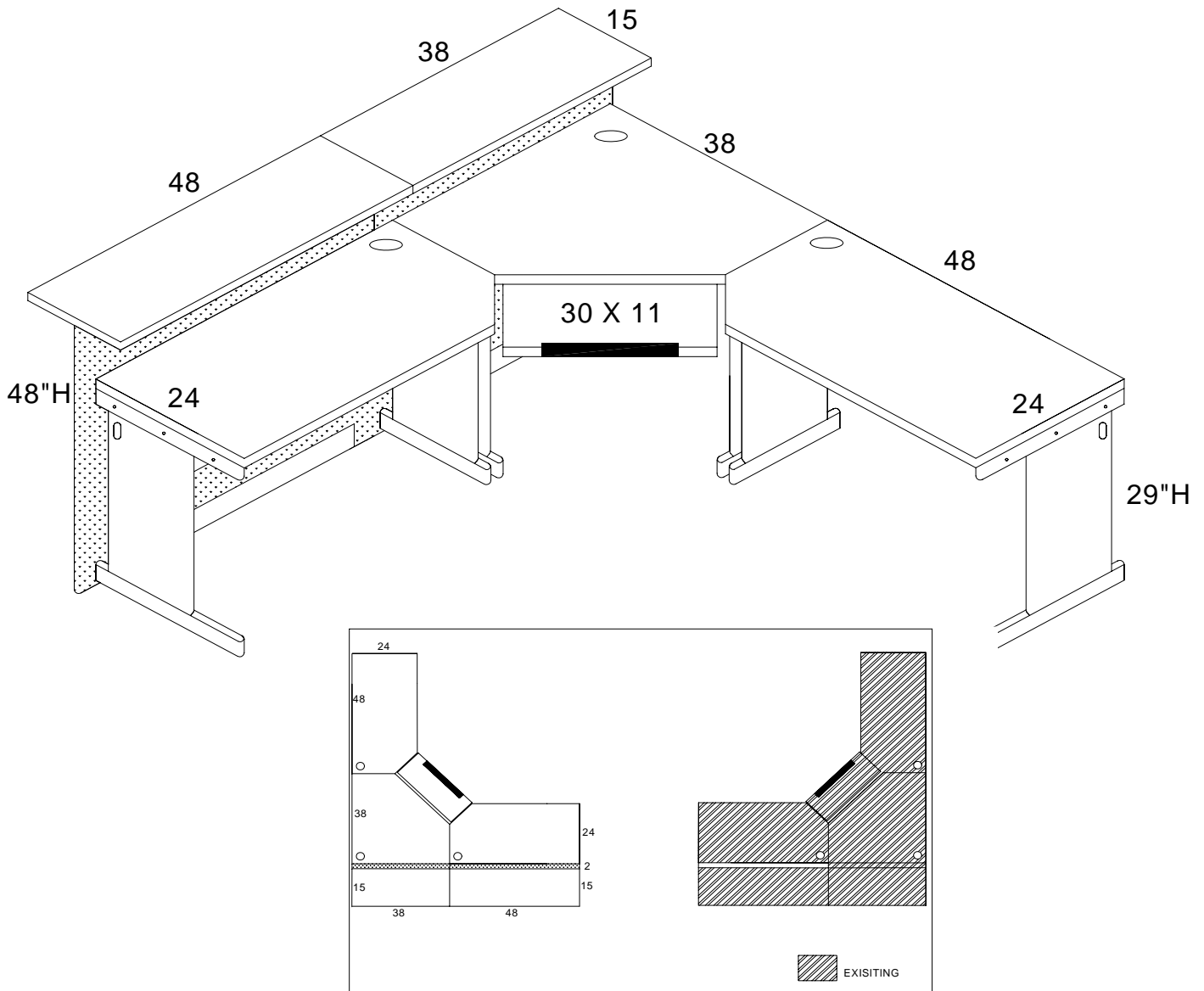
RECEPTION WORKSTATION – SAMPLE 1

Reference: 2011-11-015



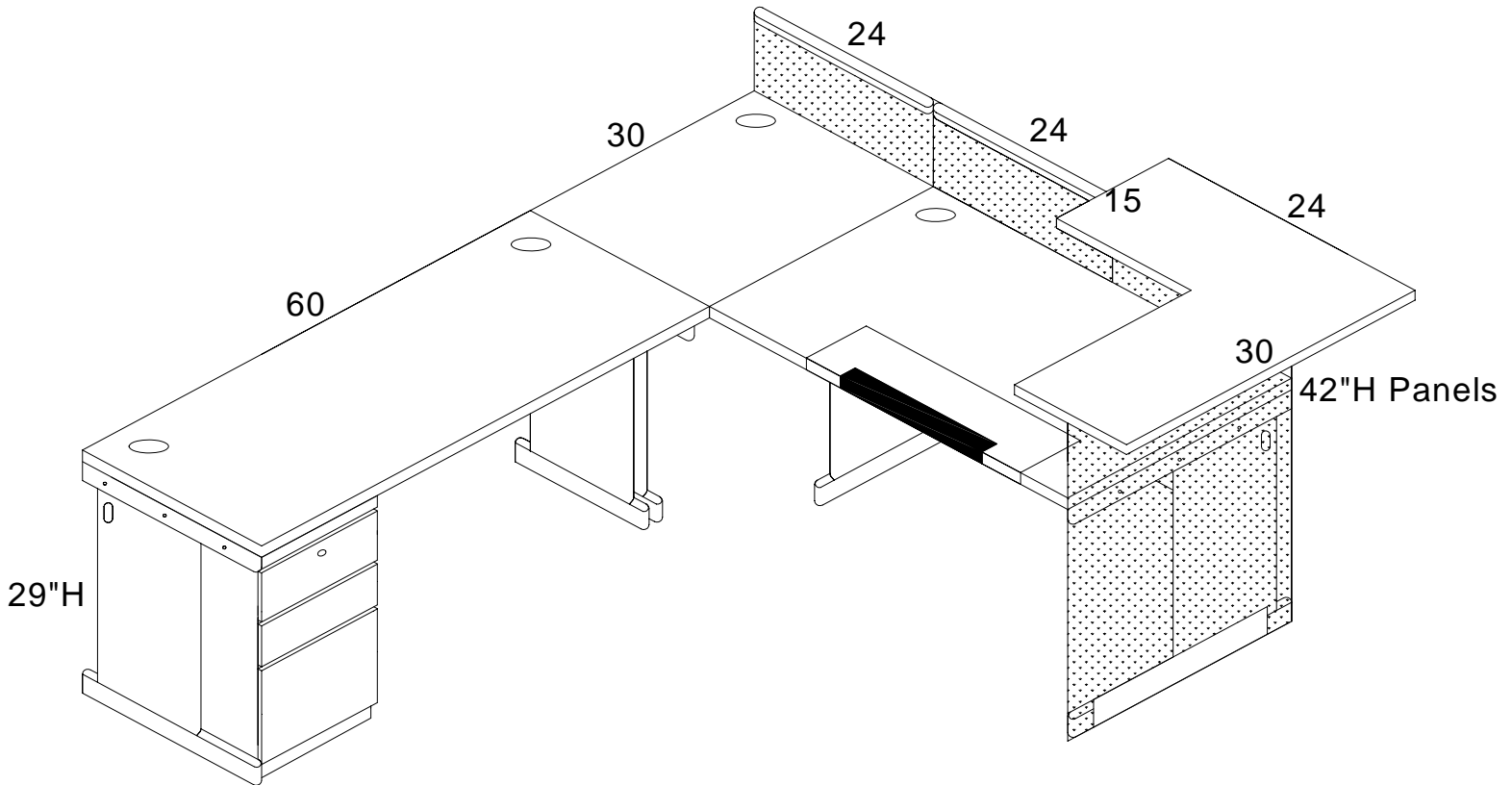
RECEPTION WORKSTATION – SAMPLE 2

Reference: 2011-10-004



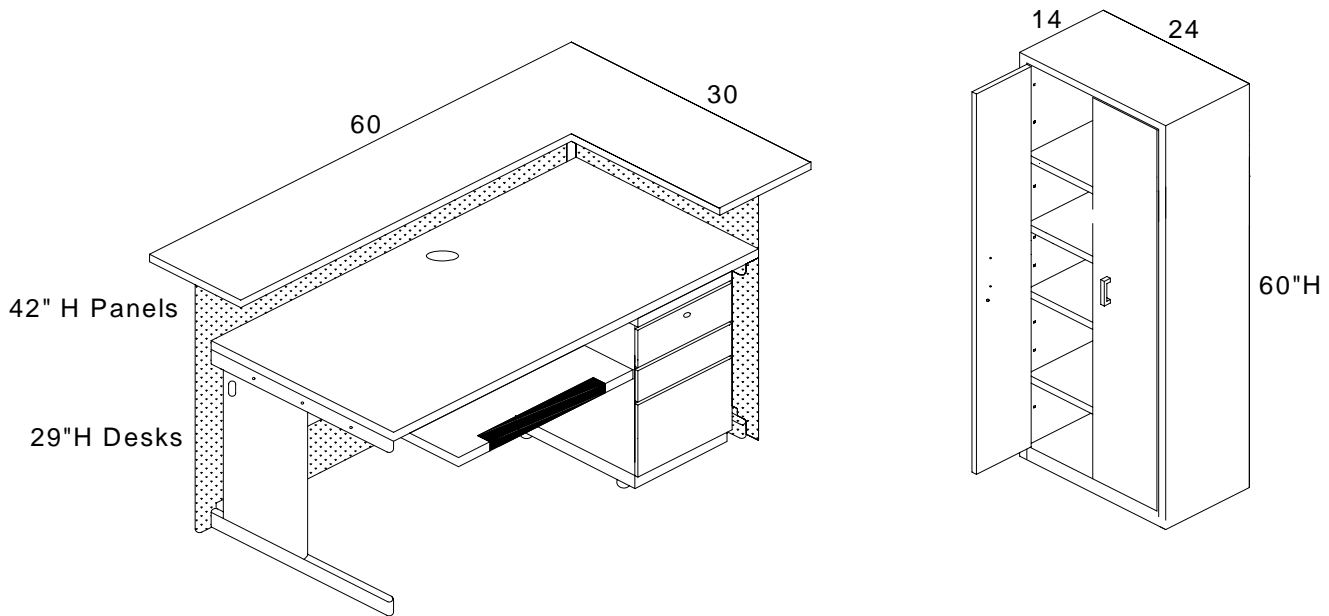
RECEPTION WORKSTATION – SAMPLE 3

Reference: 2011-09-013



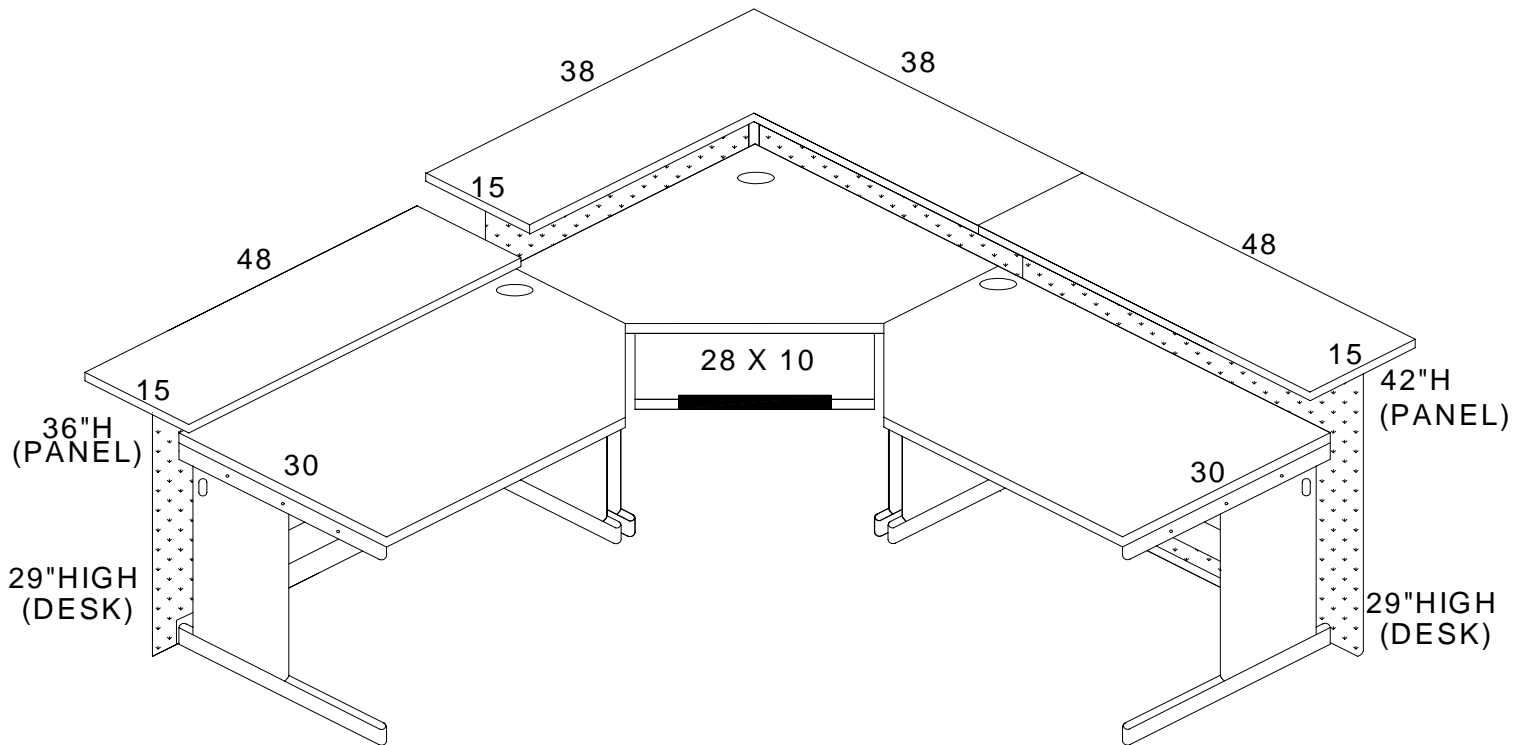
RECEPTION WORKSTATION – SAMPLE 4

Reference: 120607-10-R5



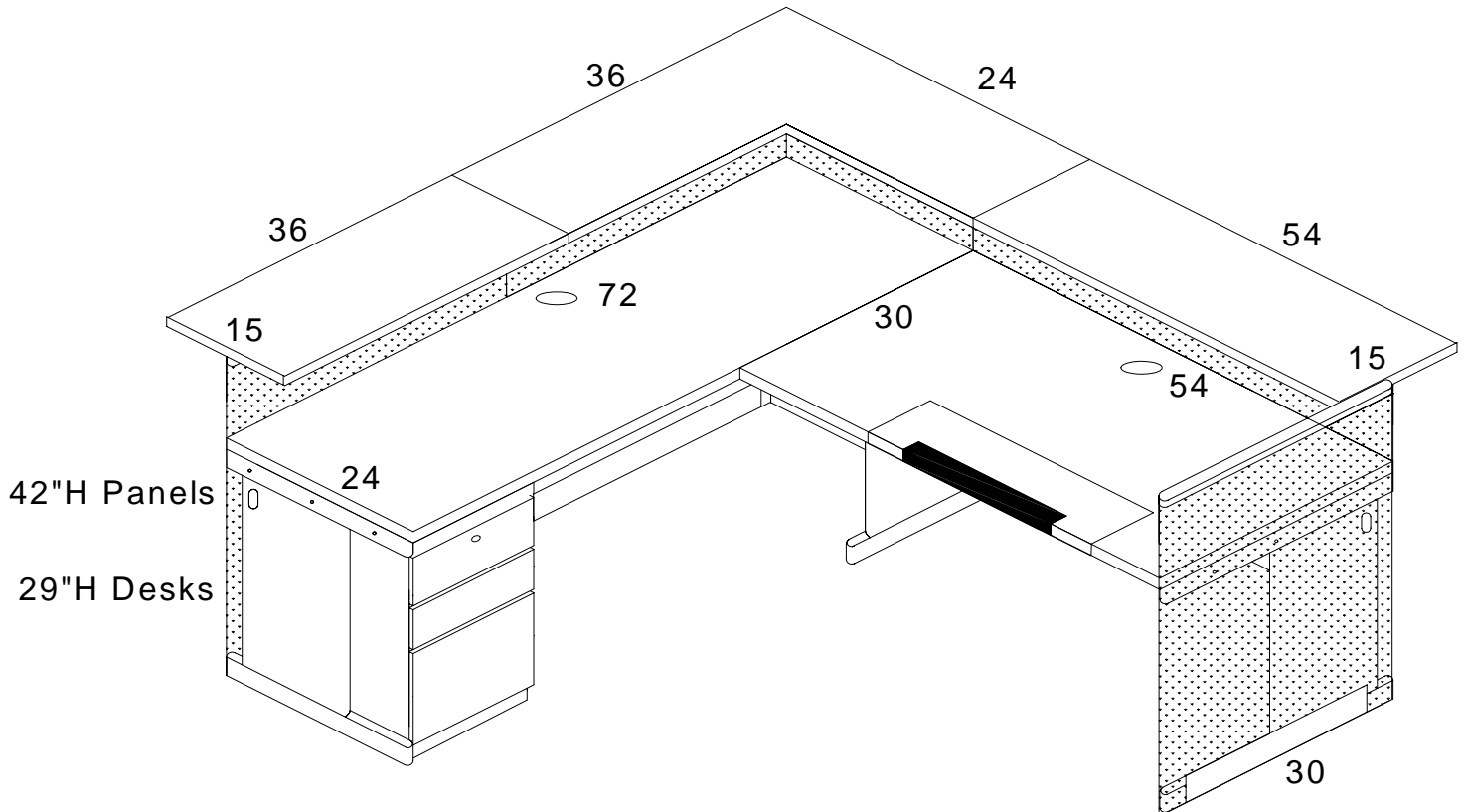
RECEPTION WORKSTATION – SAMPLE 5

Reference: 120515-28



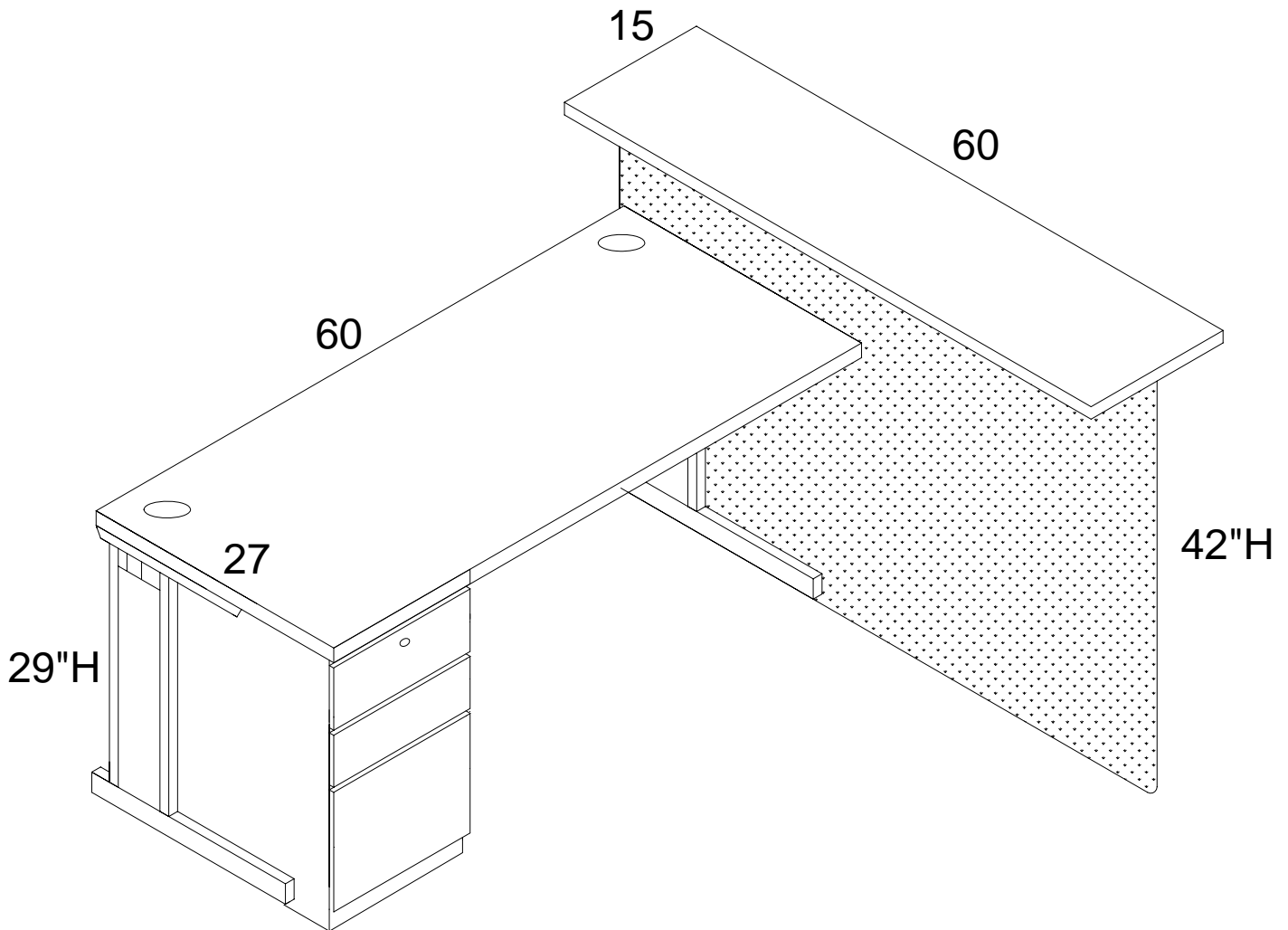
RECEPTION WORKSTATION – SAMPLE 6

Reference: 120217-44-R5



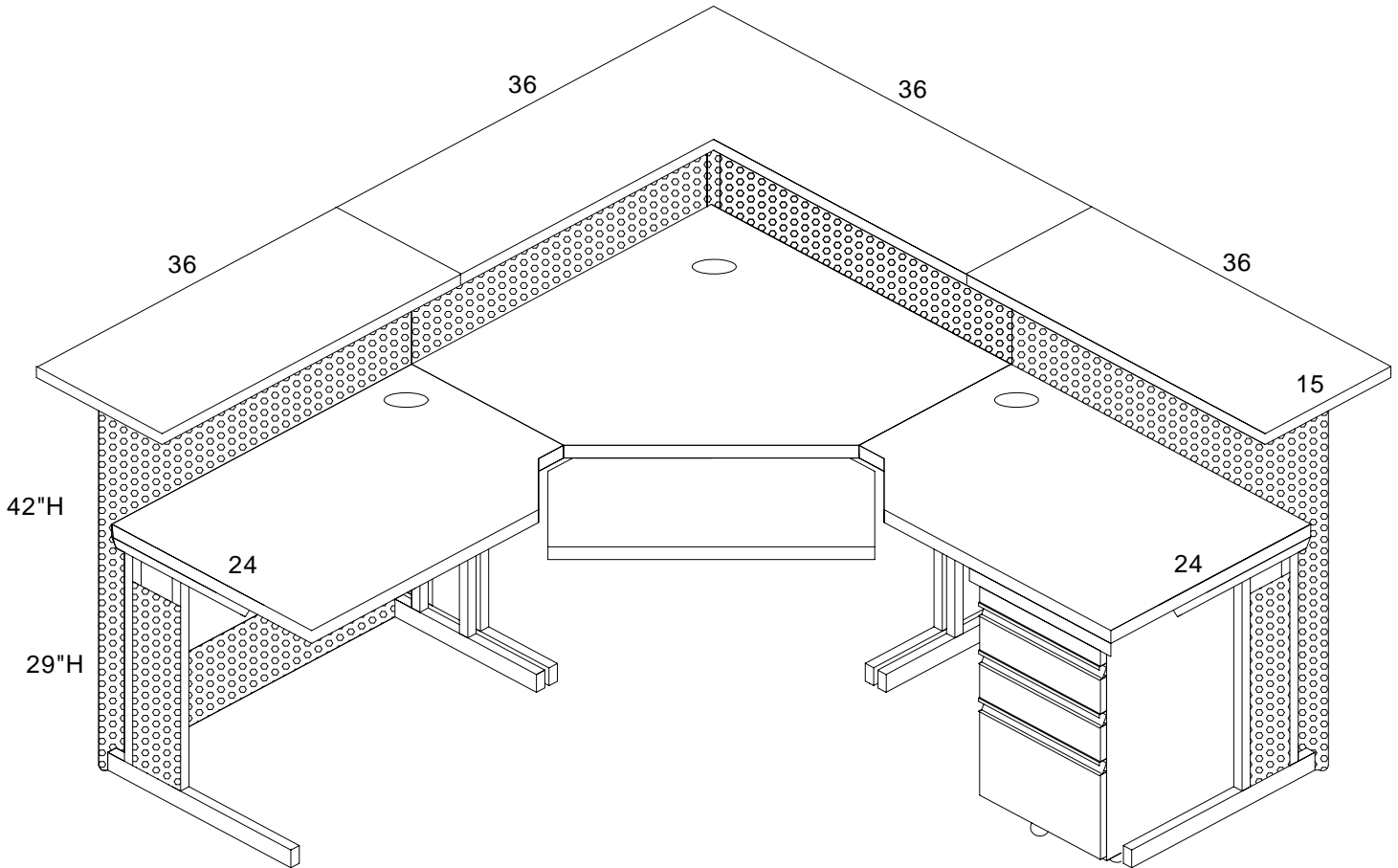
RECEPTION WORKSTATION – SAMPLE 7

Reference: 110530-60



RECEPTION WORKSTATION – SAMPLE 8

Reference: 110210-21-R1



RECEPTION WORKSTATION – SAMPLE 9

Reference: 080513-20

